

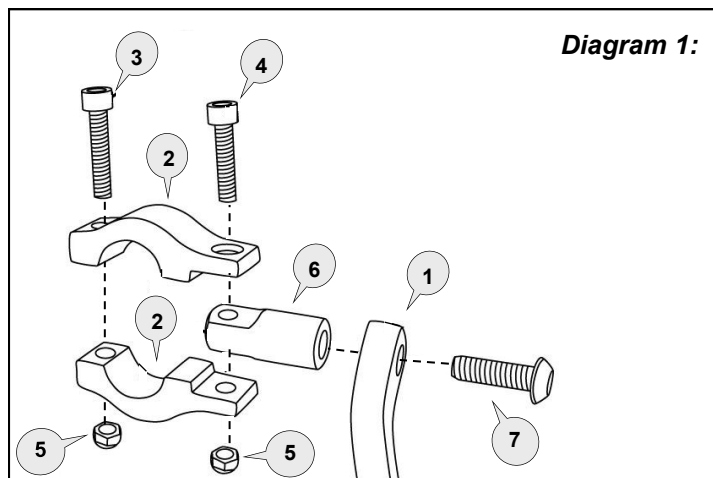


www.barkbusters.net

FITTING INSTRUCTIONS for...

- TRIUMPH Tiger 1200 Explorer - all ('18 on)

Preparation: Remove original TRIUMPH handguard and metal mounting bracket, if fitted.



Fitting Procedure

There are rings machined into the inside of the tapered clamp surface to assist with a correct fit. The rings on both halves of the clamp should line up with each other and be positioned towards the centre of the motorcycle on the left and right side.

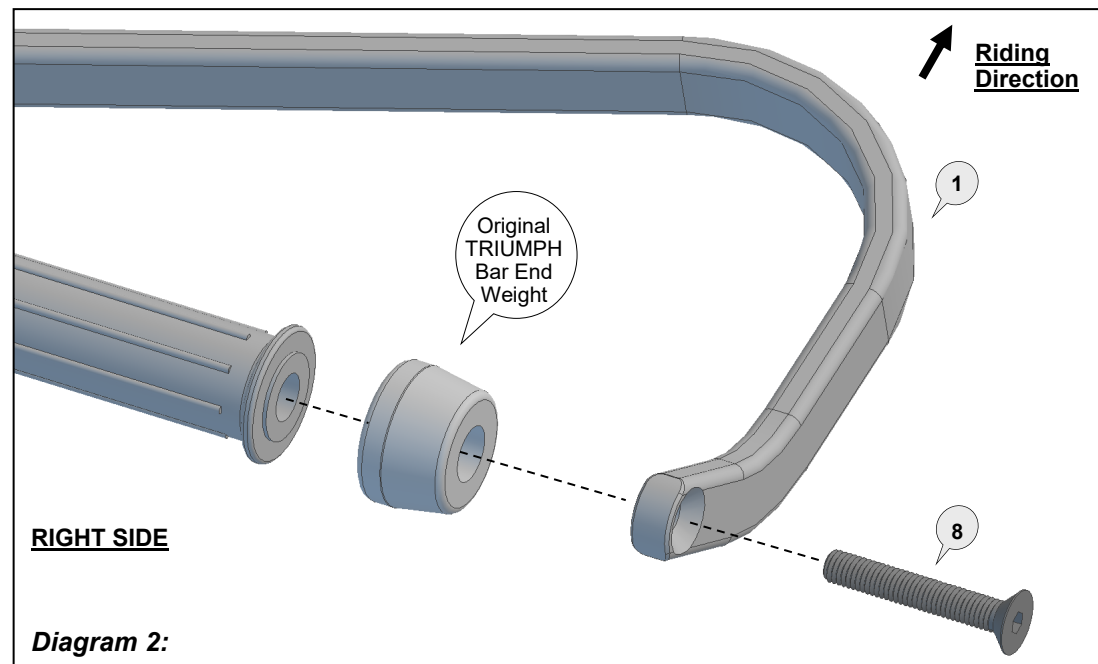
Loosely assemble clamp to handlebar as per *Diagram 1*. Attach handguard with applicable parts to the handlebar and also to the clamp connector (6).

Note: Preferred backbone position is horizontal when viewed from side.

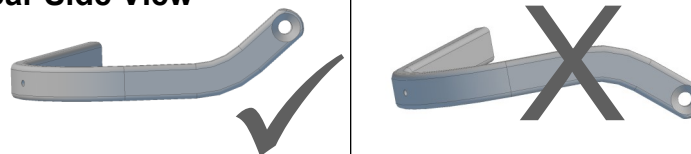
Tighten bolts in the following order:

- **Tighten (8).**
- **Tighten bolt (7)** through the aluminium bar (1) to the clamp connector (6) of the clamp assembly.
- **Tighten bolt (4)** to solidly lock the clamp connector (6) between the clamp saddles (2).
- **Tighten bolt (3)** to secure the clamp assembly firmly to the handlebar.

Note: The clamp is designed to allow the nut on bolt (4) to pull into the recessed hole. This eliminates the need for a wrench after the bolt starts to tighten.



Bar Side View



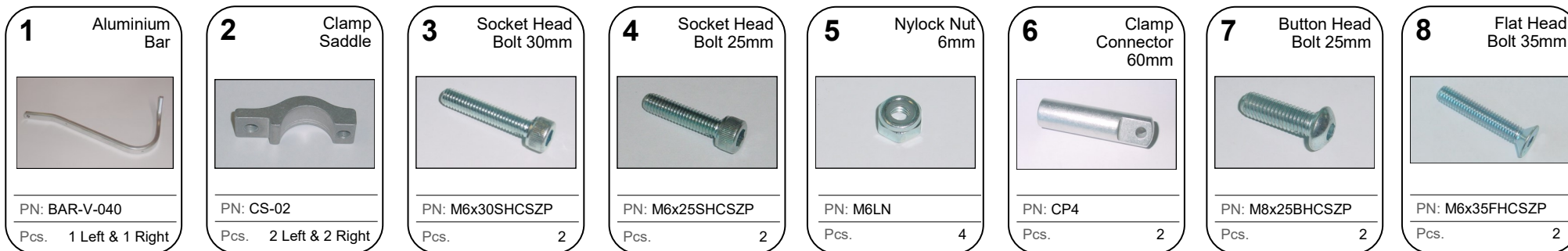
Personalise Your Protection

Guard options sold separately

JET	JET-003
VPS	VPS-003
Storm	STM-003
CARBON	BCF-003

Phone: +61 (0)2 4271 8244
Email: info@barkbusters.net





CAUTION:

Installation of the handguard is safety-relevant work and can be complicated. We recommend the installation be performed by a motorcycle service technician. Rideworx accepts no liability for damages caused by improper mounting. All screws, bolts and nuts, including all replacement hardware provided by Rideworx, should be tightened to the torque specified in the below table. After the first 50km of riding check all screws, bolts and nuts are tightened to the correct torque. We recommend a medium strength liquid thread lock product on all fasteners.

Recommended Torque Settings	
M6	10 Nm (7.4 lbf ft)
M8	20 Nm (14.8 lbf ft)

WARNING:

It is important there is a working clearance (approx 3mm) between the throttle grip end and the handguard to ensure a free closing throttle. Check operation of all handlebar controls, specifically the throttle, front brake, kill switch and clutch to ensure they are operating correctly and are in accordance with the OEM specifications. Do not ride the motorcycle if any controls are not operating correctly. Check periodically that all bolts are tight.



Phone: +61 (0)2 4271 8244
 Email: info@barkbusters.net
 Web: www.barkbusters.net



Disclaimer:

A failure to follow these fitting instructions could cause serious injury, death or property damage. These handguards are intended solely for use with motorcycles/ATV/snowmobiles/scooters that have not been modified. They are not designed to prevent injury or death while riding or in an accident or crash. The user must ensure that all controls are free of the handguards every time that they ride. By installing and/or using this product you acknowledge that you accept these terms and have followed the fitting instructions.