



FITTING INSTRUCTIONS FOR CG0028
CHAIN GUARD



THIS KIT CONTAINS THE ITEMS PICTURED AND LABELLED OVER PAGE.

SOME PARTS MAY BE SHOWN FOR CLARITY OF INSTRUCTIONS ONLY.

DO NOT PROCEED UNTIL YOU ARE SURE ALL PARTS ARE PRESENT.

PLEASE READ ALL INSTRUCTIONS BEFORE PROCEEDING.

**IF IN ANY DOUBT WHEN FITTING OUR PRODUCTS, CONSULT ONE OF OUR DEALERS
OR HAVE FITTED BY A QUALIFIED TECHNICIAN.**

PLEASE NOTE THAT THE WAY THE KIT IS PACKED DOES NOT NECESSARILY REPRESENT THE WAY OF
MOUNTING TO THE BIKE.

IN THE EVENT OF RUBBER WASHERS BEING USED TO HOLD COMPONENTS ONTO BOLTS,
THESE RUBBER WASHERS CAN BE THROWN AWAY.

DIGITAL COPIES OF THESE INSTRUCTIONS ARE AVAILABLE FROM:

[WWW.RG-RACING.COM](http://www.rg-racing.com)

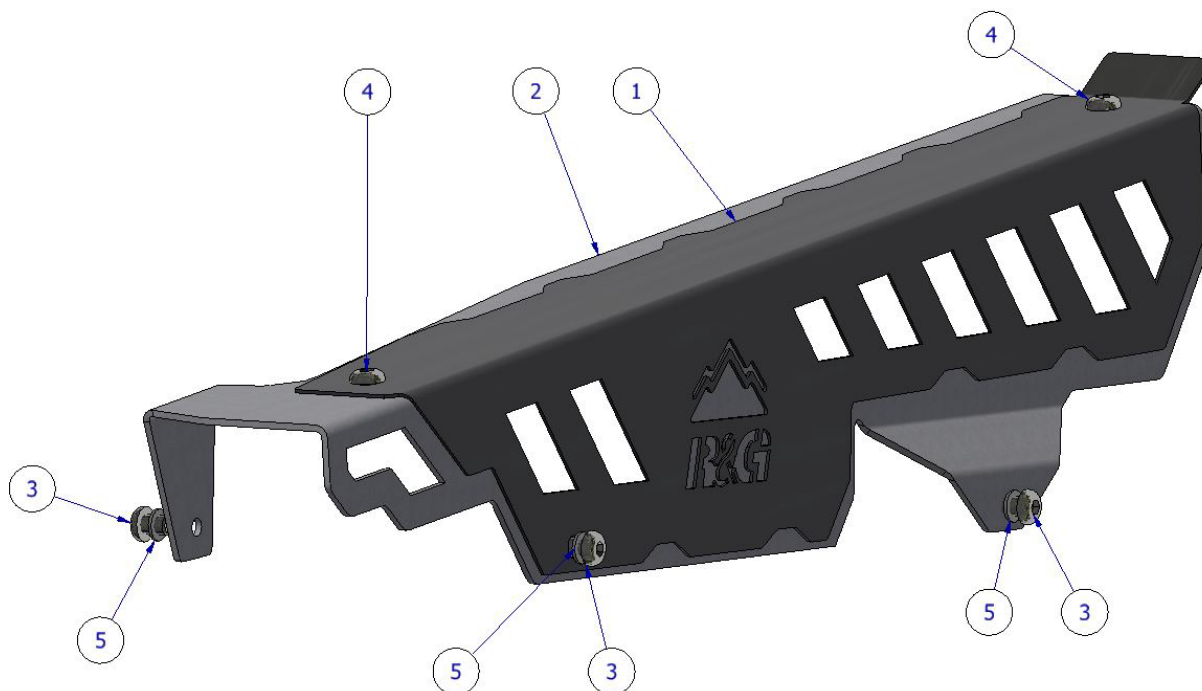


<u>TOOLS REQUIRED</u>	<u>GENERAL TORQUE SETTINGS</u>
<ul style="list-style-type: none"> • 3mm, 4mm & 5mm A/F ALLEN TOOLS • 8-12MM SPANNER • TORX SET 	<p>M4 BOLT = 8Nm</p> <p>M5 BOLT = 12Nm</p> <p>M6 BOLT = 15Nm</p> <p>M8 BOLT = 20Nm</p> <p>M10 BOLT = 40Nm</p> <p>M12 BOLT = 40Nm</p>

LEGEND

ITEM NO.	DESCRIPTION	QTY
ITEM 1	SMW0231 - 1mm ALUMINIUM BLACK COVER PLATE	1
ITEM 2	SMW0232 - 2mm BRUSHED STAINLESS CHAIN GUARD	1
ITEM 3	M5x0.8x10mm BUTTON HEAD BOLT	3
ITEM 4	M6x1.0x6mm BUTTON HEAD BOLT	2
ITEM 5	M5x10mm FLAT WASHER	3

ASSEMBLY DIAGRAM





FITTING PICTURES

Picture 1



FITTING INSTRUCTIONS

- 1) Remove the plastic OEM chain guard by removing the three bolts shown in **Picture 1**.
- 2) Assemble the new chain guard as shown in the **ASSEMBLY DIAGRAM** on page 2. Start by placing the cover plate (**ITEM 1**) onto the chain guard (**ITEM 2**).
- 3) Using the two M6x1.0x6.0mm button head bolts (ITEM 4), thread them into the chain guard (**ITEM 2**) securing the cover plate (**ITEM 1**).
- 4) Then place the assembly into the same location as the OEM chain guard and use the three M5x0.8x10mm button head bolt (**ITEM 3**) and three M5x10mm flat washers (**ITEM 5**).
- 5) tighten to the correct torque settings using the **GENERAL TORQUE SETTINGS** on page 2.

Please note: Remember to check the torque setting and distance to the tyre/chain regularly, when performing routine maintenance (cleaning chain/servicing).

See more R&G products for your Motorcycle in the link below:



ISSUE 1 - 16/05/2023 (JH)

CONSUMER NOTICE

The catalogue description and any exhibition of samples are only broad indications of the Products and R&G may make design changes which do not diminish their performance or visual appeal and supplying them in such state shall conform to the order. The Buyer acknowledges no representation or warranty (other than as to title) has been given or will apply to the Products other than those in R&G's order or confirmation and the Buyer confirms it has chosen the Products as being of merchantable quality and suitable for its particular purposes. Where R&G fits the Products or undertakes other services it shall exercise reasonable skill and care and rectify any fault free of charge unless the workmanship has been disturbed. The Buyer is responsible for ensuring that the warranty on the motorcycle is not affected by the fitting of the Products. On return of any defective Products R&G shall at its option either supply a replacement or refund the purchase money but shall not be liable if the Products have been modified or used or maintained otherwise than in accordance with R&G's or manufacturer's instructions and good engineering practice or if the defect arises from accident or neglect. Other than identified above and subject to R&G not limiting its liability for causing death and personal injury, it shall not be liable for indirect or consequential loss and otherwise its liability shall be limited to the amounts paid by the Buyer for the Products or the fitting or service concerned. These terms do not affect the Buyer's statutory rights.

R&G RACING RETURNS POLICY (NON-FAULTY GOODS)

Returns must be pre-authorized (if not pre-authorized the return will be rejected). Goods may only be returned direct to us if they were purchased direct from us (customer must prove if necessary). Otherwise to be returned to original vendor. Goods must be in re-sellable condition, in the opinion of R&G Racing. All returns are subject to a 25% restocking and handling fee (25% of the gross value exc. P&P - at the prevailing price at time of purchase). The customer must pay any and all carriage charges. No returns of discontinued products, unless within 14 days of purchase. This policy does not affect your statutory rights and does not refer to faulty goods.⁴

R&G Racing

Unit 1, Shelley's Lane, East Worldham, Alton, Hampshire, GU34 3AQ

Tel: +44 (0)1420 89007 Fax: +44 (0)1420 87301 www.rg-racing.com Email: info@rg-racing.com



NOTICE DE MONTAGE POUR CG0028 **PROTECTION CHAÎNE**



CE KIT CONTIENT LES ARTICLES ILLUSTRÉS ET ÉTIQUETÉS SUR LA PAGE.

CERTAINES PIÈCES PEUVENT ÊTRE INDIQUÉES UNIQUEMENT POUR LA CLARTÉ DES INSTRUCTIONS.

NE PAS CONTINUER AVANT D'ÊTRE SÛR DE LA PRÉSENCE DE TOUTES LES PIÈCES.

VEUILLEZ LIRE TOUTES LES INSTRUCTIONS AVANT DE CONTINUER.

EN CAS DE DOUTE LORS DE L'INSTALLATION DE NOS PRODUITS, CONSULTEZ UN DE NOS
REVENDEURS OU FAITES INSTALLER PAR UN TECHNICIEN QUALIFIÉ

VEUILLEZ NOTER QUE LA FAÇON DONT LE KIT EST EMBALLÉ NE REPRÉSENTE PAS
NÉCESSAIREMENT LE MODE DE MONTAGE SUR LE VÉLO.

EN CAS D'UTILISATION DE RONDELLES EN CAOUTCHOUC POUR MAINTENIR LES COMPOSANTS
SUR LES BOULONS, CES RONDELLES EN CAOUTCHOUC PEUVENT ÊTRE JETÉES.

NOTICE DE MONTAGE DISPONIBLE AU TÉLÉCHARGEMENT SUR :

WWW.RG-RACING.COM

R&G Racing

Unit 1, Shelley's Lane, East Worldham, Alton, Hampshire, GU34 3AQ

Tel: +44 (0)1420 89007 Fax: +44 (0)1420 87301 www.rg-racing.com Email: info@rg-racing.com

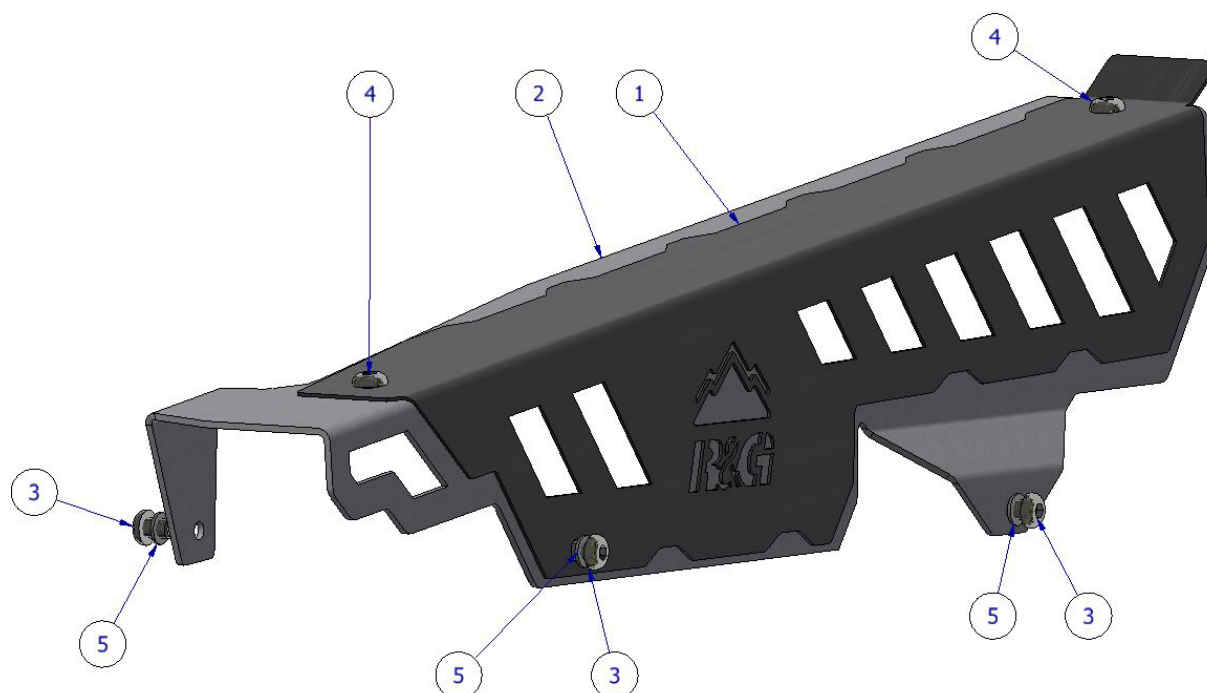


<u>TOOLS REQUIRED</u>	<u>VALEURS DE SERRAGE</u>
<ul style="list-style-type: none"> • CLÉS ALLEN 3mm, 4mm & 5mm • CLÉ À MOLETTE 8-12MM • CLÉ TORX 	BOULON M4 = 8Nm BOULON M5 = 12Nm BOULON M6 = 15Nm BOULON M8 = 20Nm BOULON M10 = 40Nm BOULON M12 = 40Nm

LEGENDE

ARTICLE NO.	DESCRIPTION	QTÉ
ARTICLE 1	SMW0231 - 1mm PLAQUE DE COUVERTURE NOIRE EN ALUMINIUM	1
ARTICLE 2	SMW0232 - 2mm PROTÈGE-CHAÎNE EN INOX BROSSÉ	1
ARTICLE 3	M5x0.8x10mm BOULON	3
ARTICLE 4	M6x1.0x6mm BOULON	2
ARTICLE 5	M5x10mm RONDELLE PLATE	3

SCHÉMA D'ENSEMBLE



R&G Racing

Unit 1, Shelley's Lane, East Worldham, Alton, Hampshire, GU34 3AQ

Tel: +44 (0)1420 89007 Fax: +44 (0)1420 87301 www.rg-racing.com Email: info@rg-racing.com



PHOTOS DE MONTAGE

Photo 1



NOTICE DE MONTAGE

- 1) Retirez le protège-chaîne d'origine en plastique en retirant les trois boulons illustrés sur la photo 1.
- 2) Montez le nouveau carter de chaîne comme indiqué sur le SCHÉMA DE MONTAGE à la page 2. Commencez par placer la plaque de recouvrement (ARTICLE 1) sur le carter de chaîne (ARTICLE 2).
- 3) À l'aide des deux boulons à tête ronde M6x1,0x6,0 mm (ARTICLE 4), vissez-les dans le garde-chaîne (ARTICLE 2) en fixant le couvercle (ARTICLE 1).
- 4) Placez ensuite l'ensemble au même endroit que le garde-chaîne d'origine et utilisez les trois boulons à tête ronde M5x0,8x10mm (ARTICLE 3) et les trois rondelles plates M5x10mm (ARTICLE 5).
- 5) serrer aux couples de serrage corrects à l'aide des RÉGLAGES GÉNÉRAUX DE COUPLE à la page 2.

Note : N'oubliez pas de vérifier régulièrement le couple de serrage et la distance au pneu/chaîne lors de l'entretien courant (nettoyage de la chaîne/révision).

Voir plus de produits R&G pour votre moto via ce lien :

ISSUE 1 - 16/05/2023 (JH)