



FITTING INSTRUCTIONS FOR EH0119 EXHAUST HANGER



THIS KIT CONTAINS THE ITEMS PICTURED AND LABELLED OVER PAGE.

DO NOT PROCEED UNTIL YOU ARE SURE ALL PARTS ARE PRESENT.

PLEASE READ ALL INSTRUCTIONS BEFORE PRECEEDING.

**IF IN ANY DOUBT WHEN FITTING OUR PRODUCTS, CONSULT ONE OF OUR DEALERS
OR HAVE FITTED BY A QUALIFIED TECHNICIAN.**

PLEASE NOTE THAT THE WAY THE KIT IS PACKED DOES NOT NECESSARILY REPRESENT THE WAY OF
MOUNTING TO THE BIKE.

THE PARTS SHOWN MAY BE REPRESENTATIVE ONLY (FOR CLARITY OF INSTRUCTIONS ONLY).

IN THE EVENT OF RUBBER WASHERS BEING USED TO HOLD COMPONENTS ONTO BOLTS,
THESE RUBBER WASHERS CAN BE THROWN AWAY.

Digital copies of these instructions are available to download from
www.rg-racing.com

**TOOLS REQUIRED**

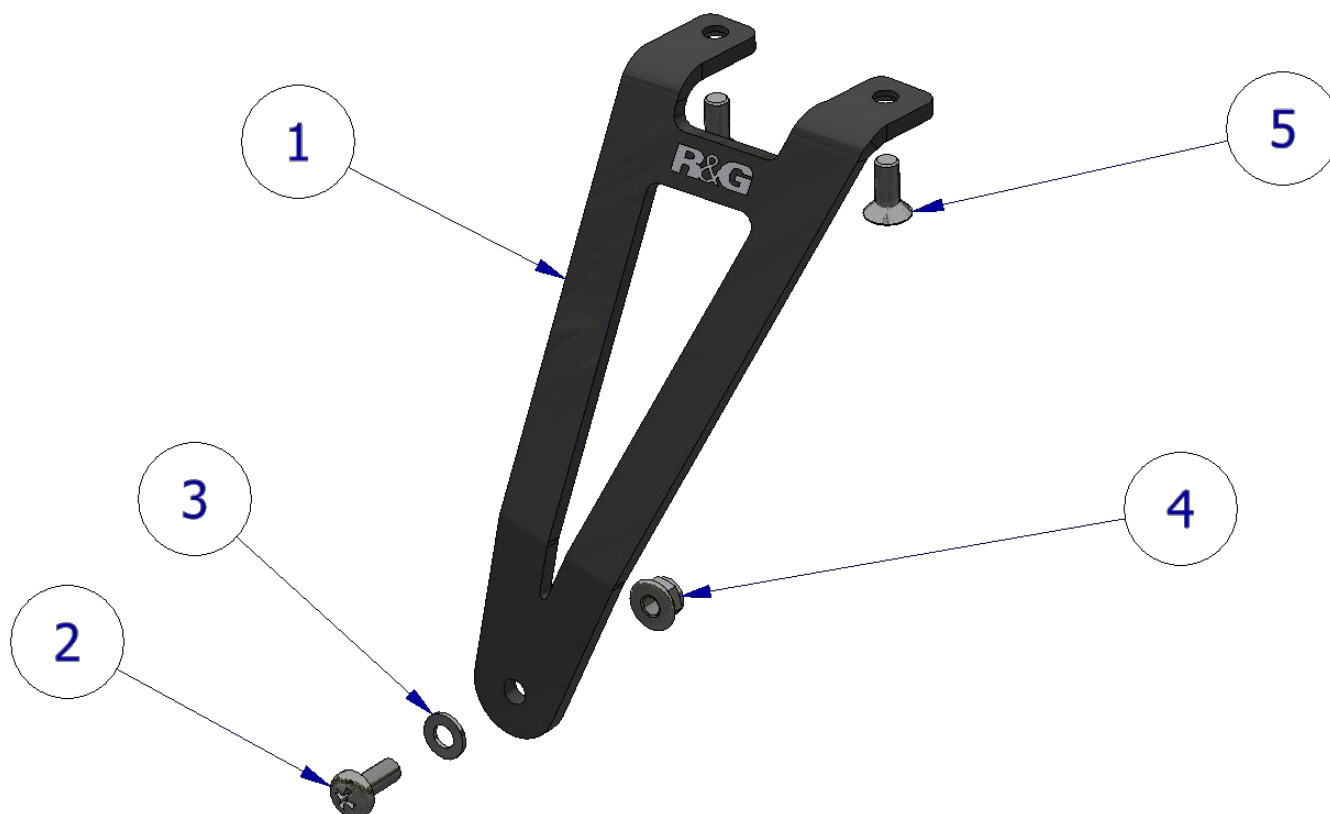
- Set of metric Allen keys
- Torque wrench to suit.

MAXIMUM TORQUE SETTINGS

- M4 BOLT = 8Nm
- M5 BOLT = 12Nm
- M6 BOLT = 15Nm
- M8 BOLT = 20Nm
- M10 BOLT = 40Nm
- M12 BOLT = 40Nm

LEGEND

ITEM No	DESCRIPTION	QTY
ITEM 1	EXHAUST HANGER (HB0119)	1
ITEM 2	M8 x 20mm BUTTON HEAD BOLT	1
ITEM 3	M8 WASHER	1
ITEM 4	M8 NUT	1
ITEM 5	M8 x 20mm COUNTERSUNK BOLTS	2



R&G Racing

Unit 1, Shelley's Lane, East Worldham, Alton, Hampshire, GU34 3AQ

Tel: +44 (0)1420 89007 Fax: +44 (0)1420 87301 www.rg-racing.com Email: info@rg-racing.com



FITTING INSTRUCTIONS

- To fit the R&G Exhaust Hanger, the OEM pillion footrest mounting bracket needs to be removed.
- To do this, remove the two mounting bolts at the top of the pillion footrest mounting bracket then remove the OEM pillion footrest mount from the motorcycle.
- Take the R&G Exhaust Hanger (**Item 1**) and fit the two M8 x 20mm long countersunk head bolts (**Item 5**) through the two top mounts of the exhaust hanger as shown in the **assembly picture**.
- Offer the exhaust bracket into position and engage both bolts into the pillion foot peg mounting holes (do not fully tighten at this stage).
- With the exhaust hanger loosely mounted on the motorcycle, ensure the lower part of the exhaust hanger is on the outside of the exhaust mounting bracket.
- Place the M8 button head bolt (**Item 2**) through the washer (**Item 3**) & exhaust hanger mounting bracket before fitting the M8 nut (**Item 4**) onto the exposed thread of the bolt and loosely tighten as shown in the **assembly picture**.
- Ensure the exhaust hanger is correctly fitted before tightening all three bolts.
- Please ensure when the motorcycle is being used that no parts are in such a position that they may collide/damage other bike parts (this is particularly important if using after-market cans or exhaust systems).

Please note that it is your responsibility to ensure that no part of the exhaust hanger or exhaust assembly fouls or comes into contact with other parts of the machine. Do not ride the motorcycle until this aspect has been verified and you have compressed the rear suspension (if appropriate to the design of the motorcycle) to test this thoroughly.

See more R&G products for your Motorcycle in the links below:

[R&G Racing | Frame sliders, crash protectors, frame protectors from R&G for all sportsbikes. \(rg-racing.com\)](http://www.rg-racing.com)

Issue 1 - 17/02/2023 (MH)

CONSUMER NOTICE

The catalogue description and any exhibition of samples are only broad indications of the Products and R&G may make design changes which do not diminish their performance or visual appeal and supplying them in such state shall conform to the order. The Buyer acknowledges no representation or warranty (other than as to title) has been given or will apply to the Products other than those in R&G's order or confirmation and the Buyer confirms it has chosen the Products as being of merchantable quality and suitable for its particular purposes. Where R&G fits the Products or undertakes other services it shall exercise reasonable skill and care and rectify any fault free of charge unless the workmanship has been disturbed. The Buyer is responsible for ensuring that the warranty on the motorcycle is not affected by the fitting of the Products. On return of any defective Products R&G shall at its option either supply a replacement or refund the purchase money but shall not be liable if the Products have been modified or used or maintained otherwise than in accordance with R&G's or manufacturer's instructions and good engineering practice or if the defect arises from accident or neglect. Other than identified above and subject to R&G not limiting its liability for causing death and personal injury, it shall not be liable for indirect or consequential loss and otherwise its liability shall be limited to the amounts paid by the Buyer for the Products or the fitting or service concerned. These terms do not affect the Buyer's statutory rights.

R&G RETURNS POLICY (NON-FAULTY GOODS)

Returns must be pre-authorized (if not pre-authorized the return will be rejected). Goods may only be returned direct to us if they were purchased direct from us (customer must prove if necessary). Otherwise to be returned to original vendor. Goods must be in re-sellable condition, in the opinion of R&G. All returns are subject to a 25% restocking and handling fee (25% of the gross value exc. P&P – at the prevailing price at time of purchase). The customer must pay any and all carriage charges. No returns of discontinued products, unless within 14 days of purchase. This policy does not affect your statutory rights and does not refer to faulty goods.

R&G Racing

Unit 1, Shelley's Lane, East Worldham, Alton, Hampshire, GU34 3AQ

Tel: +44 (0)1420 89007 Fax: +44 (0)1420 87301 www.rg-racing.com Email: info@rg-racing.com



NOTICE DE MONTAGE POUR EH0119 SUPPORT D'ÉCHAPPEMENT



CE KIT CONTIENT LES ARTICLES ILLUSTRÉS ET ÉTIQUETES SUR LA PAGE.

CERTAINES PARTIES PEUVENT ÊTRE PRÉSENTES UNIQUEMENT POUR LA CLARTE DES INSTRUCTIONS.

NE PAS PROCÉDER AU MONTAGE TANT QUE VOUS N'ÊTES PAS SÛR QUE TOUTES LES PIÈCES SOIENT PRÉSENTES.

VEUILLEZ LIRE TOUTES LES INSTRUCTIONS AVANT DE CONTINUER.

EN CAS DE DOUTE LORS DU MONTAGE DE NOS PRODUITS, CONSULTEZ UN DE NOS REVENDEURS OU FAITES APPEL À UN TECHNICIEN QUALIFIÉ.

VEUILLEZ NOTER QUE LA FAÇON DONT LE KIT EST EMBALLÉ NE REPRÉSENTE PAS NECESSAIREMENT LA MANIÈRE DE LE MONTER SUR LA MOTO.

SI DES RONDELLES EN CAOUTCHOUC SONT UTILISÉES POUR MAINTENIR LES COMPOSANTS SUR LES BOULONS, ELLES PEUVENT ÊTRE JETÉES.

NOTICE DISPONIBLE AU TÉLÉCHARGEMENT SUR :
WWW.RG-RACING.COM

**OUTISL REQUIS**

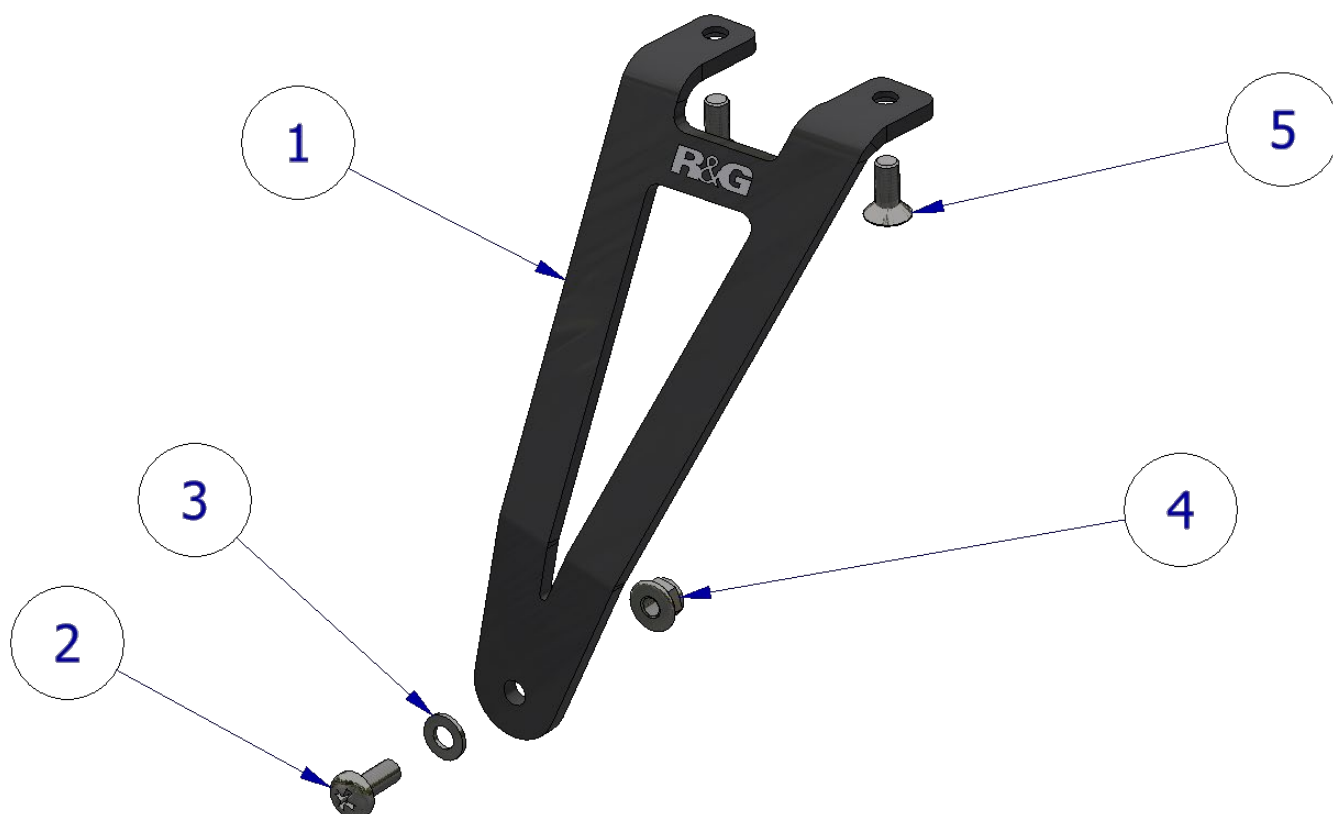
- Clés Allen
- Clé dynamométrique.

VALEURS DE SERRAGE

- M4 BOULON = 8Nm
- M5 BOULON = 12Nm
- M6 BOULON = 15Nm
- M8 BOULON = 20Nm
- M10 BOULON = 40Nm
- M12 BOULON = 40Nm

LÉGENDE

ARTICLE No	DESCRIPTION	QTÉ
ARTICLE 1	SUPPORT D'ÉCHAPPEMENT (HB0119)	1
ARTICLE 2	M8 x 20mm BOULON	1
ARTICLE 3	M8 RONDELLE	1
ARTICLE 4	M8 ÉCROU	1
ARTICLE 5	M8 x 20mm BOULONS	2



R&G Racing

Unit 1, Shelley's Lane, East Worldham, Alton, Hampshire, GU34 3AQ

Tel: +44 (0)1420 89007 Fax: +44 (0)1420 87301 www.rg-racing.com Email: info@rg-racing.com



NOTICE DE MONTAGE

- Pour installer le support d'échappement R&G, le support de montage du repose-pied passager d'origine doit être retiré.
- Pour ce faire, retirez les deux boulons de montage en haut du support de montage du repose-pied passager, puis retirez le support de repose-pied passager d'origine de la moto.
- Prenez le support d'échappement R&G (article 1) et placez les deux boulons à tête fraisée M8 x 20 mm de long (article 5) à travers les deux supports supérieurs du support d'échappement comme indiqué sur l'image de montage.
- Présentez le support d'échappement en position et engagez les deux boulons dans les trous de montage du repose-pied du passager (ne serrez pas complètement à ce stade).
- Une fois le support d'échappement monté sans serrer sur la moto, assurez-vous que la partie inférieure du support d'échappement soit à l'extérieur du support de montage d'échappement.
- Placez le boulon à tête ronde M8 (article 2) à travers la rondelle (article 3) et le support de montage du support d'échappement avant de fixer l'écrou M8 (article 4) sur le filetage exposé du boulon et serrez légèrement comme indiqué sur l'image d'assemblage.
- Assurez-vous que le support d'échappement soit correctement installé avant de serrer les trois boulons.
- Veuillez vous assurer, lorsque la moto est utilisée, qu'aucune pièce ne se trouve dans une position telle qu'elle puisse entrer en collision/endommager d'autres pièces de la moto (ceci est particulièrement important si vous utilisez des pots ou systèmes d'échappement qui ne sont pas d'origine).

Veuillez noter qu'il est de votre responsabilité de vous assurer qu'aucune partie du support d'échappement ou de l'ensemble d'échappement n'entre en contact avec d'autres pièces de la machine. Ne conduisez pas la moto tant que cet aspect n'a pas été vérifié et que vous n'avez pas comprimé la suspension arrière (si cela convient à la conception de la moto) pour le tester à fond.

Voir plus de produits R&G pour votre moto via ce lien :

[R&G Racing | Frame sliders, crash protectors, frame protectors from R&G for all sportsbikes. \(rg-racing.com\)](http://www.rg-racing.com)

Issue 1 - 17/02/2023 (MH)

CONSUMER NOTICE

The catalogue description and any exhibition of samples are only broad indications of the Products and R&G may make design changes which do not diminish their performance or visual appeal and supplying them in such state shall conform to the order. The Buyer acknowledges no representation or warranty (other than as to title) has been given or will apply to the Products other than those in R&G's order or confirmation and the Buyer confirms it has chosen the Products as being of merchantable quality and suitable for its particular purposes. Where R&G fits the Products or undertakes other services it shall exercise reasonable skill and care and rectify any fault free of charge unless the workmanship has been disturbed. The Buyer is responsible for ensuring that the warranty on the motorcycle is not affected by the fitting of the Products. On return of any defective Products R&G shall at its option either supply a replacement or refund the purchase money but shall not be liable if the Products have been modified or used or maintained otherwise than in accordance with R&G's or manufacturer's instructions and good engineering practice or if the defect arises from accident or neglect. Other than identified above and subject to R&G not limiting its liability for causing death and personal injury, it shall not be liable for indirect or consequential loss and otherwise its liability shall be limited to the amounts paid by the Buyer for the Products or the fitting or service concerned. These terms do not affect the Buyer's statutory rights.

R&G RETURNS POLICY (NON-FAULTY GOODS)

Returns must be pre-authorized (if not pre-authorized the return will be rejected). Goods may only be returned direct to us if they were purchased direct from us (customer must prove if necessary). Otherwise to be returned to original vendor. Goods must be in re-sellable condition, in the opinion of R&G. All returns are subject to a 25% restocking and handling fee (25% of the gross value exc. P&P - at the prevailing price at time of purchase). The customer must pay any and all carriage charges. No returns of discontinued products, unless within 14 days of purchase. This policy does not affect your statutory rights and does not refer to faulty goods.

R&G Racing

Unit 1, Shelley's Lane, East Worldham, Alton, Hampshire, GU34 3AQ

Tel: +44 (0)1420 89007 Fax: +44 (0)1420 87301 www.rg-racing.com Email: info@rg-racing.com