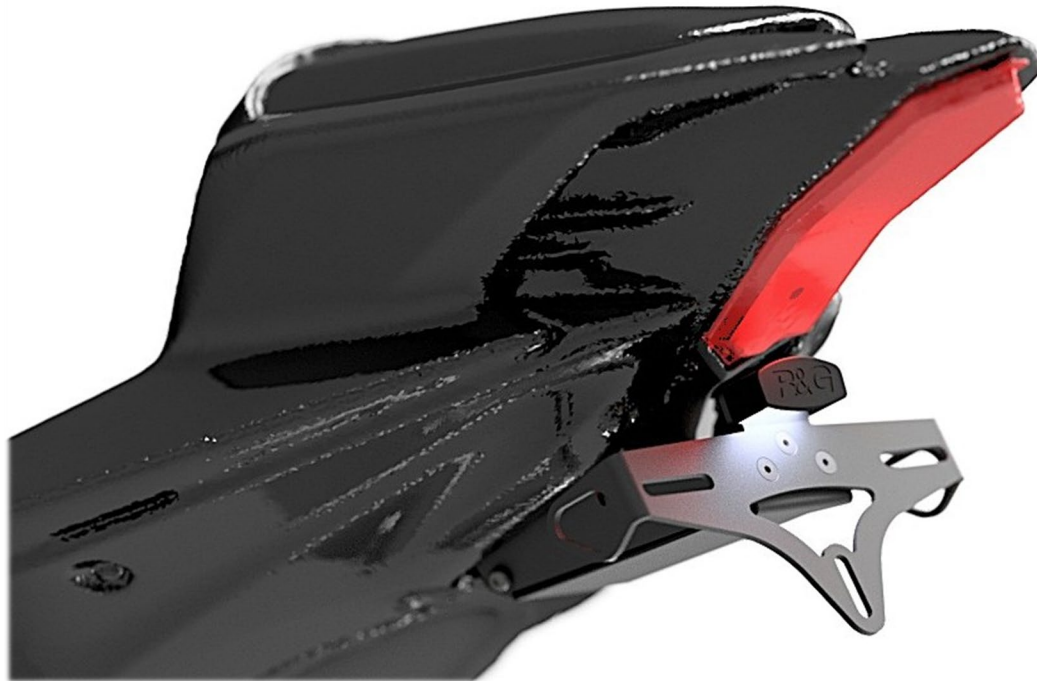




FITTING INSTRUCTIONS FOR LP0393BK
LICENCE PLATE BRACKET



This kit contains the items pictured and labelled over page.
Some parts may be shown for clarity of instructions only.
Do not proceed until you are sure all parts are present.
Please read all instructions before proceeding.

IF IN ANY DOUBT WHEN FITTING OUR PRODUCTS, CONSULT ONE OF OUR DEALERS
OR HAVE FITTED BY A QUALIFIED TECHNICIAN.

Please note that the way the kit is packed does not necessarily represent the way of mounting to the bike.

In the event of rubber washers being used to hold components onto bolts, these rubber washers can be thrown away.



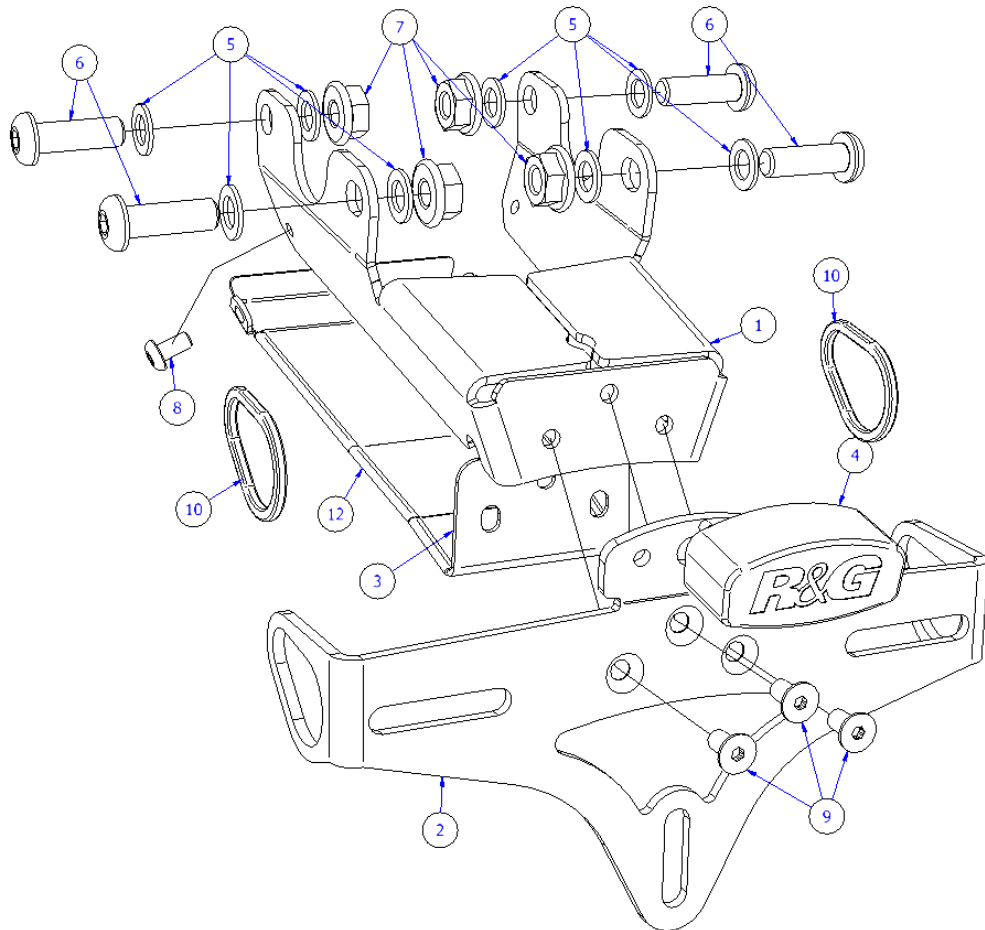
<u>TOOLS REQUIRED</u>	<u>GENERAL TORQUE SETTINGS</u>
<ul style="list-style-type: none"> • Set of metric Hex keys to include 5mm & 6mm. • Set of metric sockets and wrench. To include 8mm, 10mm & 12mm. <ul style="list-style-type: none"> • Cable cutters 	<p>M4 BOLT = 8Nm</p> <p>M5 BOLT = 12Nm</p> <p>M6 BOLT = 15Nm</p> <p>M8 BOLT = 20Nm</p> <p>M10 BOLT = 40Nm</p> <p>M12 BOLT = 40Nm</p>

LEGEND

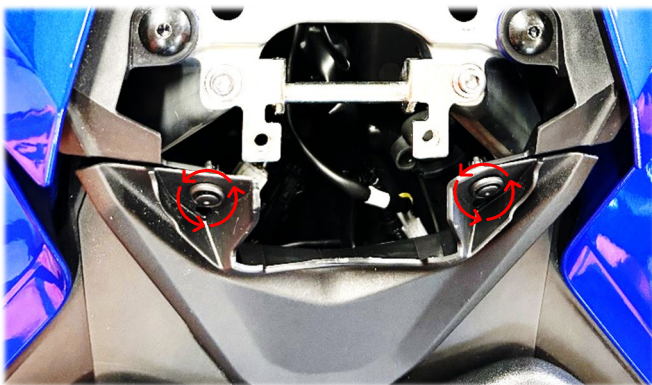
ITEM No.	DESCRIPTION	QTY
ITEM 1	MAIN BRACKET	1
ITEM 2	NUMBER PLATE BRACKET	1
ITEM 3	COVER PLATE	1
ITEM 4	NUMBER PLATE LIGHT	1
ITEM 5	M8 WASHER	8
ITEM 6	M8x25mm BUTTON HEAD BOLT	4
ITEM 7	M8 NYLOC NUT	4
ITEM 8	M5x10mm BUTTON HEAD	2
ITEM 9	M5x12mm COUNTERSUNK BOLT	3
ITEM 10	INDICATOR SPACER	2
ITEM 11	LICENCE PLATE LIGHT CONNECTOR	1
ITEM 12	RUBBER U-CHANNEL	1



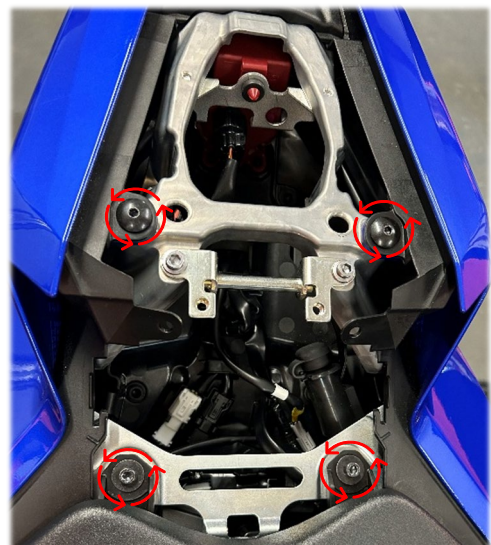
Assembly Diagram



DISASSEMBLY PICTURES



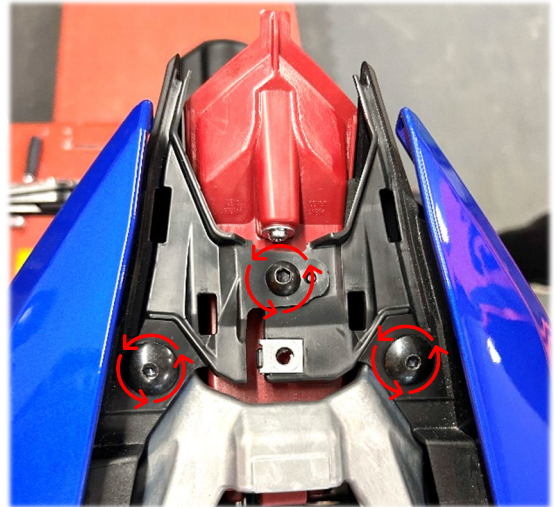
Picture 1



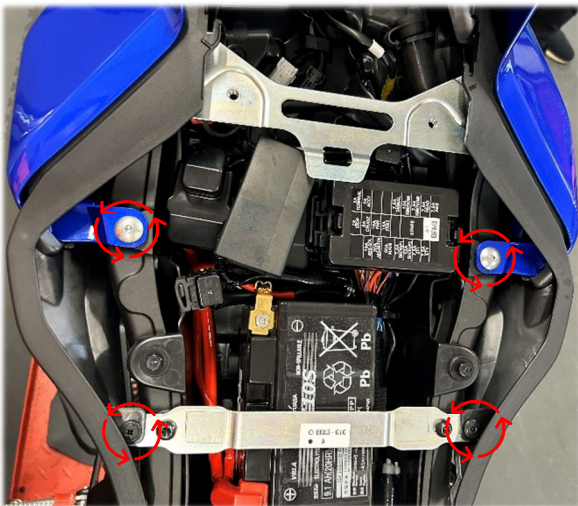
Picture 2



Picture 3



Picture 4



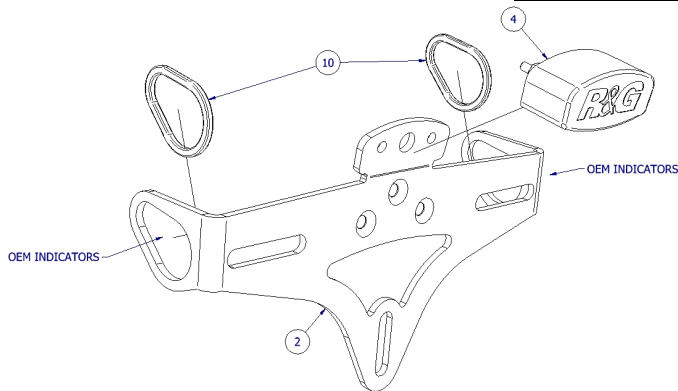
Picture 5



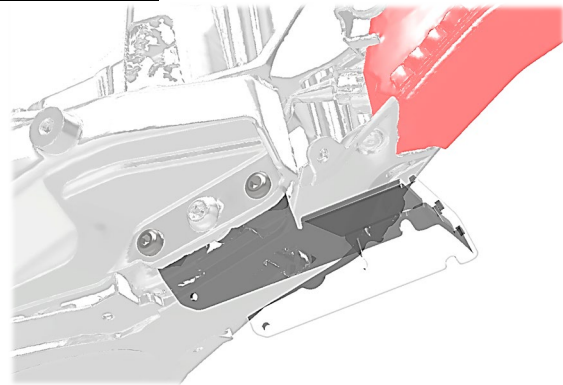
Picture 6



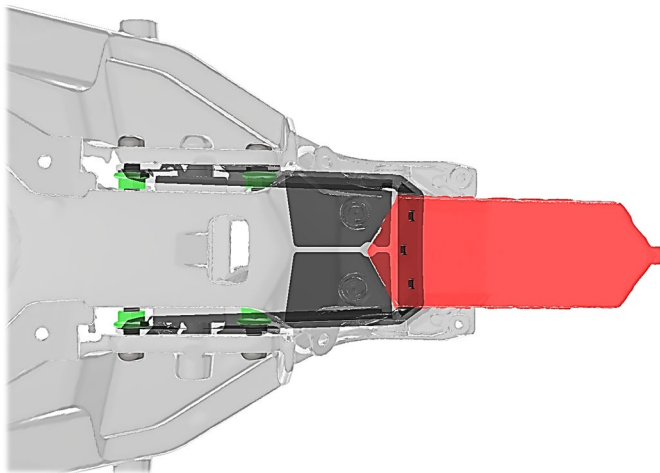
FITTING PICTURES



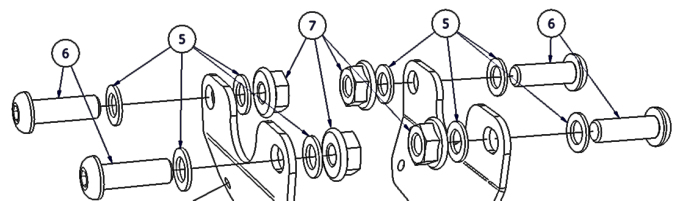
PICTURE 1



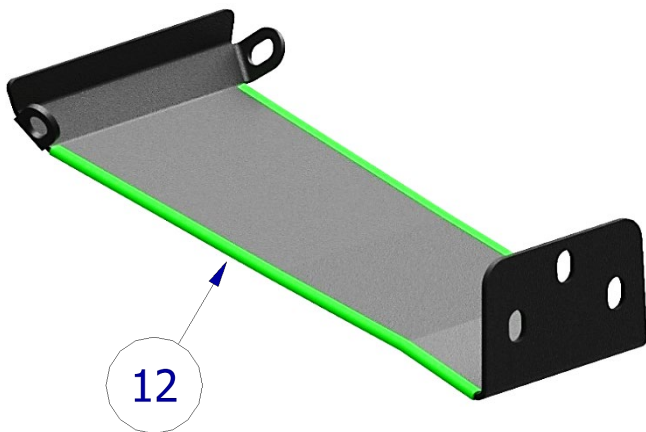
PICTURE 2



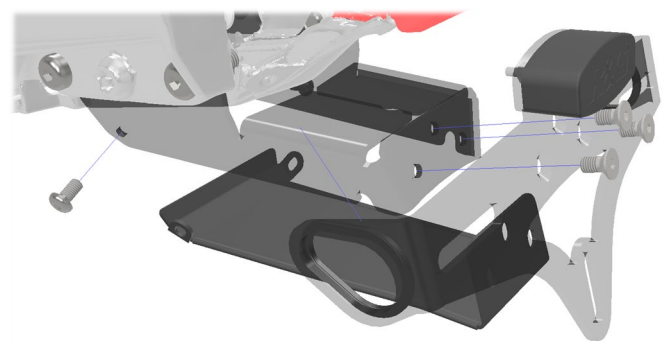
PICTURE 3



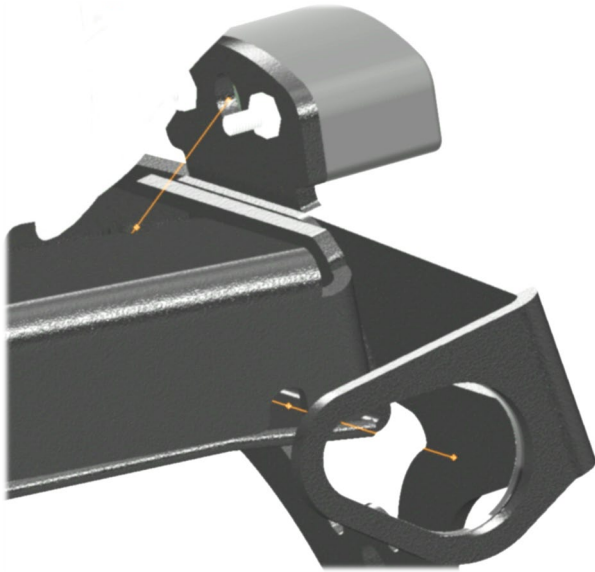
PICTURE 4



PICTURE 5



PICTURE 6

**Picture 7**

FITTING GUIDE

Disassembly Instructions:

- Start by removing the passenger seat/cowl.
- Remove the fasteners for the piece of trim between the passenger and rider seat as shown in **Disassembly Picture 1**.
- Once the trim has been removed, remove the bolts holding the rider's seat on (**Picture 2**) and then remove the rider's seat unit.
- Remove the brake/tail-light shroud via the bolt highlighted in **Picture 3**.
- Then remove the remaining bolts holding the fairing panels in place. (highlighted in **Pictures 5 & 6**)
- Once the fairing panels have been removed, remove the OEM tail unit via the 4X bolts located on either side of the subframe.
- Dismantle the OEM tail unit, keeping the indicators to one side for use with the R&G tail tidy.

Assembly Instructions:

- Using the supplied heat shrink, cover the number plate light wiring and indicator wiring (if necessary).
- Then fit the number plate light (**Item 4**) to the number plate bracket (**Item 2**).
- Fit the OEM indicators in the same way they were mounted to the OEM tail unit, with the exception of the indicator spacers (**Item 10**), which should be mounted on the inside faces of the number plate bracket (Shown in **Picture 1**).
- Fit the supplied rubber u-channel (**Item 12**) to the cover plate as shown in **Picture 5**.

Fitting Instructions:



- Prepare the the 4X M8 button head bolts and washers (**Item 5 & 6**).
- Take the main mounting bracket (**Item 1**) and offer it up to the bike (As shown in **Picture 2**)
- Pass the bolts with washers through the subframe and into the tail unit to hold it in position.
- Retract the bolts slightly so they are just sticking through the main bracket by a few millimetres.
- Apply a washer to the exposed thread, then using a spanner loosely thread on a nyloc nut (**Item 7**) (As shown in **Pictures 3 & 4**)
- Repeat this step for all four bolts, then tighten down the bolts to their required torque setting.
- Offer up the number plate bracket, pass the number plate connectors through the small hole in the top of the main bracket (shown in **Picture 7**)
- Passing the indicator wires through the holes in the side of the main bracket
- Pass the wires up into the undertray where they can now be connected.

Please test the function of your indicators and number plate light before proceeding.

- Using the 3X countersunk M5 bolts (**Item 9**) through the licence plate & cover plate, then loosely thread into the main bracket.
- At this stage make sure the wiring for the indicators is in the holes at each side of the main bracket (see **Picture 7**)
- Push the cover plate up towards the main bracket to close the gap around the rubber strip.
- While still holding the cover plate in place, thread in the 2X M5 button head bolts (**Item 8**) through the cover plate and into the main bracket.
- Then tighten the 3X countersunk bolts on the number plate bracket until everything is secure.
- Re-fit all fairing panels as they were originally.

IMPORTANT: FOR SAFETY, ENSURE THE LICENCE PLATE IS PLACED AS HIGH AS POSSIBLE ON THE TAIL TIDY (IT MAY REQUIRE DRILLING). IF FITTING A LICENCE PLATE OF 200MM OR LONGER (INCLUDING ANY SHROUD OR REFLECTOR ATTACHMENT) TO THE BRACKET, BEFORE RIDING, FULLY COMPRESS THE SUSPENSION TO ENSURE NO PART OF THE ASSEMBLY CAN CONTACT THE TYRE WHILE THE VEHICLE IS IN MOTION OR UNDER LOAD. IT IS YOUR RESPONSIBILITY TO CHECK FOR THIS POSSIBILITY AND TAKE AVOIDING ACTION. FAILURE TO CHECK THIS COULD RESULT IN SERIOUS INJURY OR DAMAGE TO THE MOTORCYCLE.

ISSUE 1 – 16/04/2025 (TB)

CONSUMER NOTICE

The catalogue description and any exhibition of samples are only broad indications of the Products and R&G may make design changes which do not diminish their performance or visual appeal and supplying them in such state shall conform to the order. The Buyer acknowledges no representation or warranty (other than as to title) has been given or will apply to the Products other than those in R&G's order or confirmation and the Buyer confirms it has chosen the Products as being of merchantable quality and suitable for its particular purposes. Where R&G fits the Products or undertakes other services it shall exercise reasonable skill and care and rectify any fault free of charge unless the workmanship has been disturbed.

Racing Technique Ltd T/A R&G
Unit 1, Shelley's Lane, East Worldham, Alton, Hampshire, GU34 3AQ
Tel: +44 (0)1420 89007 www.rg-racing.com Email: info@rg-racing.com



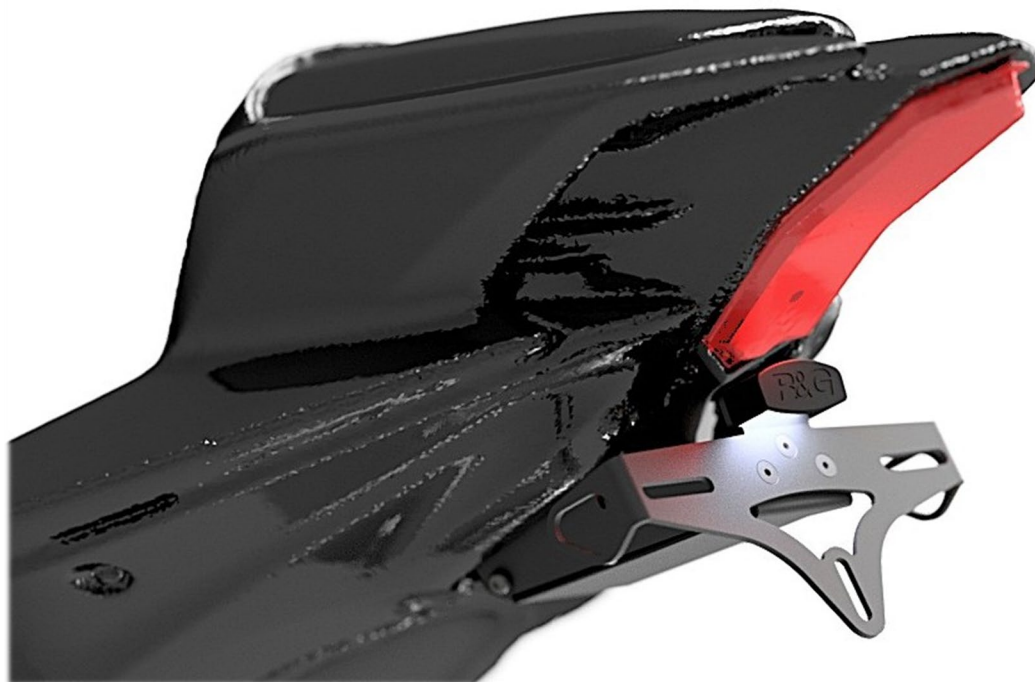
The Buyer is responsible for ensuring that the warranty on the motorcycle is not affected by the fitting of the Products. On return of any defective Products R&G shall at its option either supply a replacement or refund the purchase money but shall not be liable if the Products have been modified or used or maintained otherwise than in accordance with R&G's or manufacturer's instructions and good engineering practice or if the defect arises from accident or neglect. Other than identified above and subject to R&G not limiting its liability for causing death and personal injury, it shall not be liable for indirect or consequential loss and otherwise its liability shall be limited to the amounts paid by the Buyer for the Products or the fitting or service concerned. These terms do not affect the Buyer's statutory rights.

R&G RACING RETURNS POLICY (NON-FAULTY GOODS)

Returns must be pre-authorized (if not pre-authorized the return will be rejected). Goods may only be returned direct to us if they were purchased direct from us (customer must prove if necessary). Otherwise to be returned to original vendor. Goods must be in re-sellable condition, in the opinion of R&G Racing. All returns are subject to a 25% restocking and handling fee (25% of the gross value exc. P&P - at the prevailing price at time of purchase). The customer must pay any and all carriage charges. No returns of discontinued products, unless within 14 days of purchase. This policy does not affect your statutory rights and does not refer to faulty goods.



NOTICE DE MONTAGE LP0393BK
SUPPORT DE PLAQUE



CE KIT CONTIENT LES ARTICLES ILLUSTRÉS ET ÉTIQUETES SUR LA PAGE.

CERTAINES PARTIES PEUVENT ÊTRE PRÉSENTES UNIQUEMENT POUR LA CLARTE DES INSTRUCTIONS.

NE PAS PROCÉDER AU MONTAGE TANT QUE VOUS N'ÊTES PAS SÛR QUE TOUTES LES PIÈCES SOIENT PRÉSENTES.

VEUILLEZ LIRE TOUTES LES INSTRUCTIONS AVANT DE CONTINUER.

**EN CAS DE DOUTE LORS DU MONTAGE DE NOS PRODUITS, CONSULTEZ UN DE NOS
REVENDEURS OU FAITES APPEL A UN TECHNICIEN QUALIFIÉ.**

VEUILLEZ NOTER QUE LA FAÇON DONT LE KIT EST EMBALLÉ NE REPRÉSENTE PAS NECESSAIREMENT LA
MANIÈRE DE LE MONTER SUR LA MOTO.

SI DES RONDELLES EN CAOUTCHOUC SONT UTILISÉES POUR MAINTENIR LES COMPOSANTS SUR LES
BOULONS, ELLES PEUVENT ÊTRE JETÉES.

NOTICE DISPONIBLE AU TÉLÉCHARGEMENT SUR :
WWW.RG-RACING.COM



<u>OUTILS REQUIS</u>	<u>GENERAL TORQUE SETTINGS</u>
<ul style="list-style-type: none"> • • Ensemble de clés hexagonales métriques 5mm & 6mm. • Jeu de douilles et clés métriques. Comprend des douilles de 8 mm, 10 mm et 12 mm. . <ul style="list-style-type: none"> • Cable cutters 	<p>M4 BOLT = 8Nm</p> <p>M5 BOLT = 12Nm</p> <p>M6 BOLT = 15Nm</p> <p>M8 BOLT = 20Nm</p> <p>M10 BOLT = 40Nm</p> <p>M12 BOLT = 40Nm</p>

LÉGENDE

ARTICLE No.	DESCRIPTION	QTÉ
ARTICLE 1	SUPPORT PRINCIPAL	1
ARTICLE 2	SUPPORT DE PLAQUE	1
ARTICLE 3	PLAQUE DE COUVERTURE	1
ARTICLE 4	ÉCLAIRAGE DE PLAQUE	1
ARTICLE 5	M8 RONDELLE	8
ARTICLE 6	M8x25mm BOULON	4
ARTICLE 7	M8 ÉCROU	4
ARTICLE 8	M5x10mm BOULON	2
ARTICLE 9	M5x12mm BOULON	3
ARTICLE 10	ENTRETOISE DE CLIGNOTANT	2
ARTICLE 11	CONNECTEUR DE FEU DE PLAQUE	1
ARTICLE 12	PROFILÉ U EN CAOUTCHOUC	1

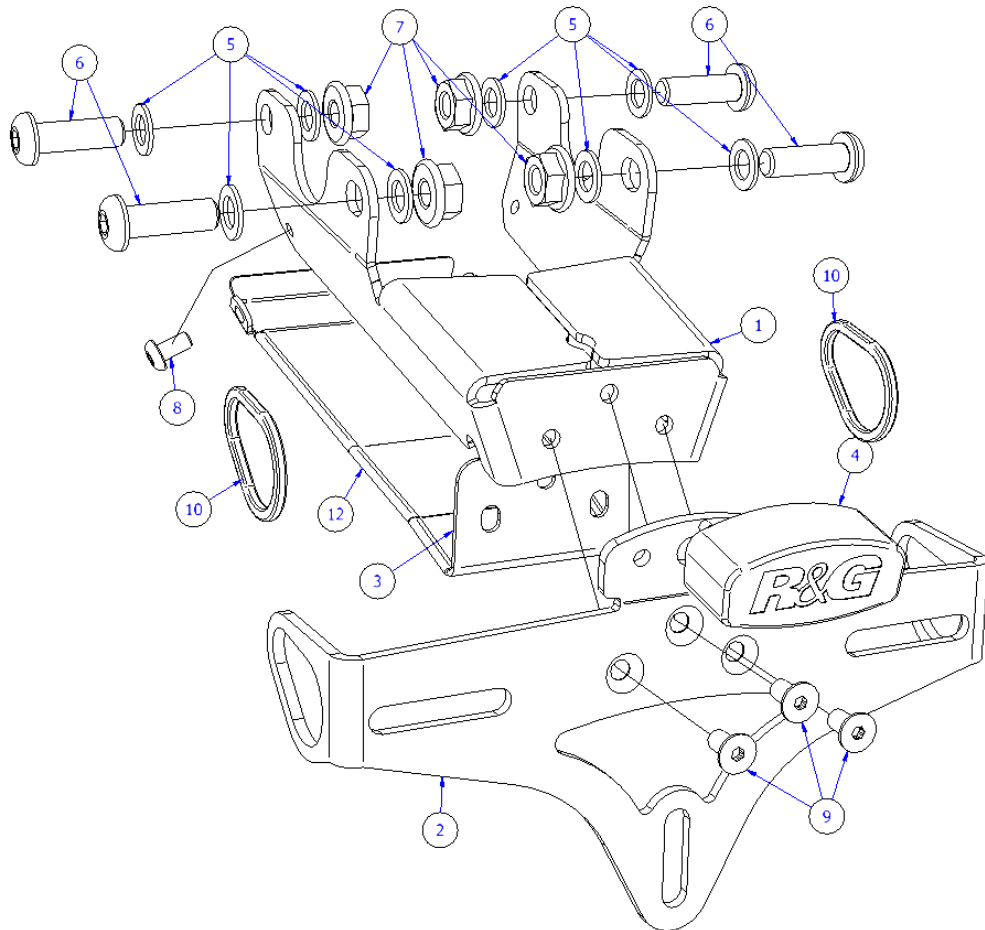
Racing Technique Ltd T/A R&G

Unit 1, Shelley's Lane, East Worldham, Alton, Hampshire, GU34 3AQ

Tel: +44 (0)1420 89007 Fax: +44 (0)1420 87301 www.rg-racing.com Email: info@rg-racing.com



Schéma d'ensemble



Photos du désassemblage

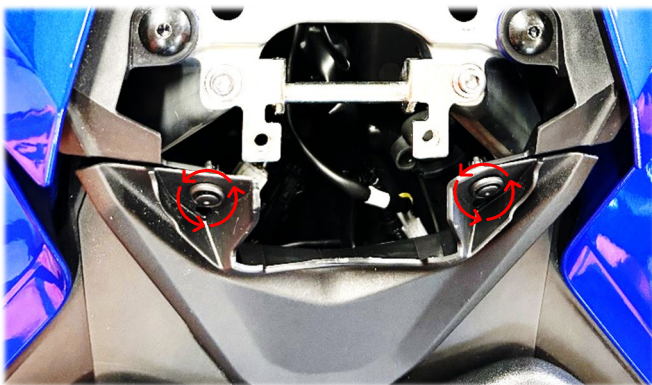


Photo 1

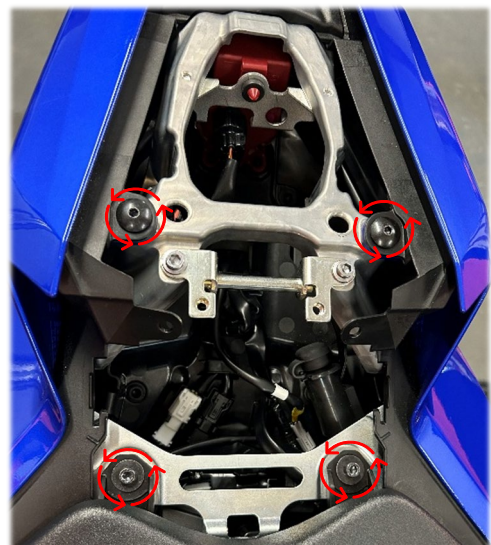


Photo 2



Photo 3

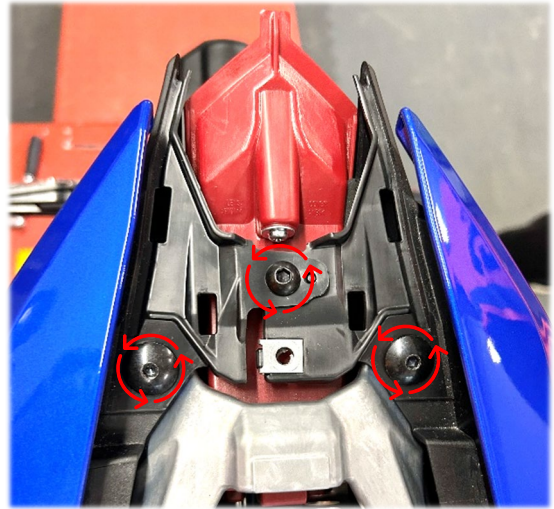


Photo 4

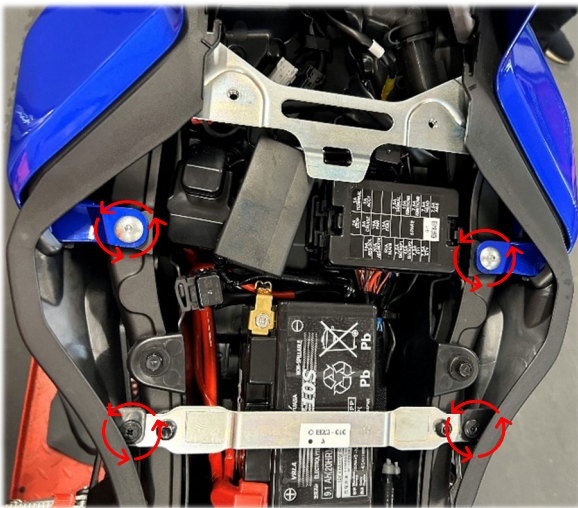


Photo 5



Photo 6



PHOTOS DE MONTAGE

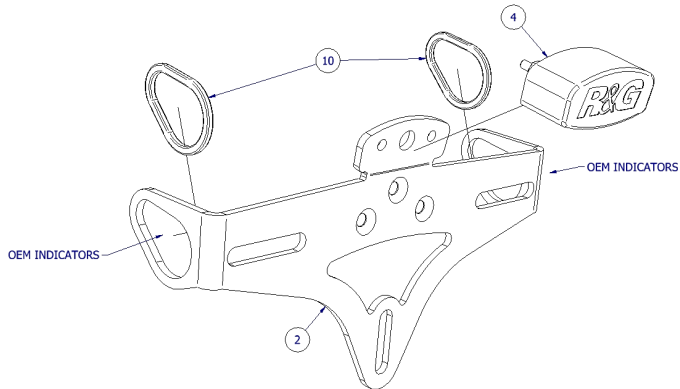


PHOTO 1

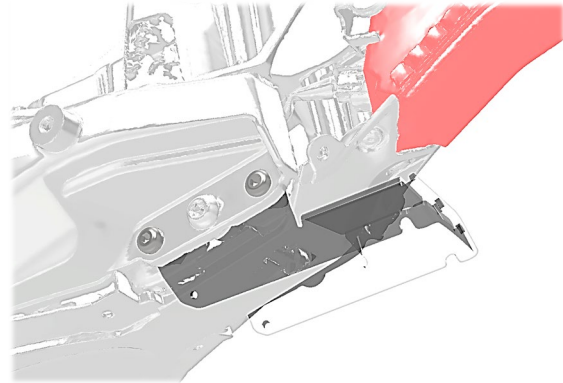


PHOTO 2

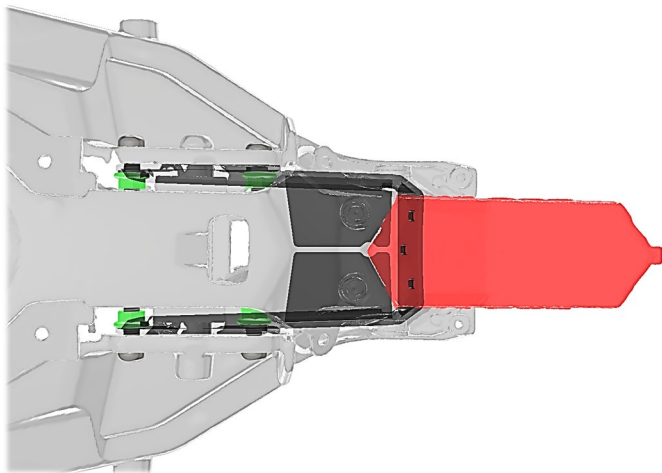


PHOTO 3

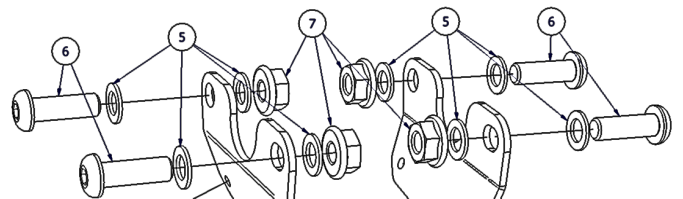


PHOTO 4

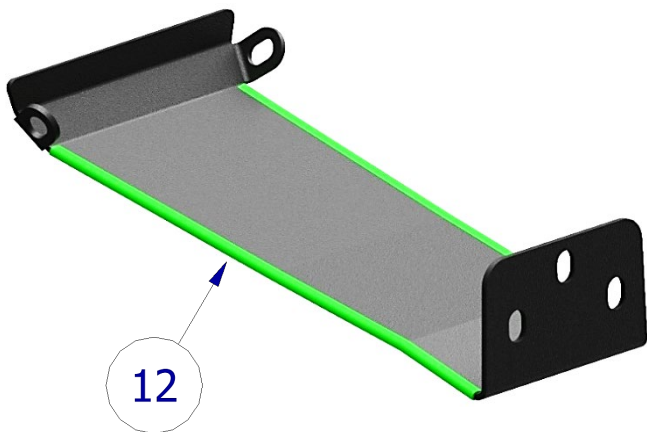


PHOTO 5

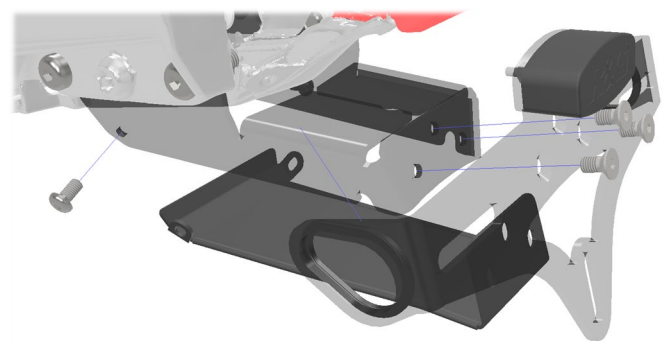


PHOTO 6

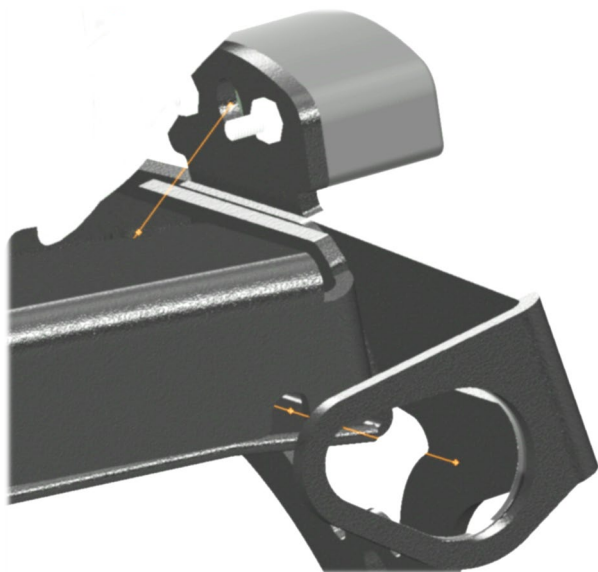


Photo 7

GUIDE DE MONTAGE

Instructions de démontage :

- Commencez par démonter la selle/le carénage passager.
- Retirez les fixations de la garniture entre la selle passager et la selle pilote, comme illustré sur la photo 1 (Démontage).
- Une fois la garniture démontée, retirez les boulons qui maintiennent la selle pilote (photo 2), puis retirez l'ensemble selle pilote.
- Retirez le carénage de feu stop/arrière à l'aide du boulon illustré sur la photo 3.
- Retirez ensuite les boulons restants qui maintiennent les panneaux de carénage (illustrés sur les photos 5 et 6).
- Une fois les panneaux de carénage démontés, retirez l'ensemble arrière d'origine à l'aide des 4 boulons situés de chaque côté du berceau.
- Démontez l'ensemble arrière d'origine en conservant les clignotants pour les utiliser avec le support arrière R&G.

Instructions d'assemblage :

- À l'aide de la gaine thermorétractable fournie, recouvrez le câblage de l'éclairage de la plaque d'immatriculation et celui des clignotants (si nécessaire).
- Fixez ensuite l'éclairage de la plaque d'immatriculation (article 4) sur le support de plaque d'immatriculation (article 2).
- Montez les clignotants d'origine de la même manière que sur le boîtier arrière d'origine, à l'exception des entretoises de clignotants (article 10), qui doivent

Racing Technique Ltd T/A R&G

Unit 1, Shelley's Lane, East Worldham, Alton, Hampshire, GU34 3AQ

Tel: +44 (0)1420 89007 Fax: +44 (0)1420 87301 www.rg-racing.com Email: info@rg-racing.com



être montées sur les faces intérieures du support de plaque d'immatriculation (voir photo 1).

- Fixez le profilé en U en caoutchouc fourni (article 12) sur la plaque de protection, comme illustré sur la photo 5.

Notice de montage :

- Préparez les 4 boulons à tête bombée M8 et leurs rondelles (articles 5 et 6).
- Prenez le support de montage principal (article 1) et présentez-le à la moto (voir photo 2).
- Faites passer les boulons et leurs rondelles à travers le sous-châssis et dans le boîtier arrière pour le maintenir en position.
- Faites légèrement rentrer les boulons afin qu'ils dépassent légèrement du support principal de quelques millimètres.
- Appliquez une rondelle sur le filetage exposé, puis, à l'aide d'une clé, vissez sans serrer un écrou nyloc (article 7) (voir photos 3 et 4).
- Répétez cette étape pour les quatre boulons, puis serrez-les au couple de serrage requis.
- Prenez le support de plaque d'immatriculation et faites passer les connecteurs de plaque d'immatriculation dans le petit trou situé en haut du support principal (voir photo 7).
- Faites passer les fils des clignotants dans les trous latéraux du support principal.
- Faites passer les fils dans le passage de roue, où ils peuvent maintenant être connectés.

Veillez tester le fonctionnement de vos clignotants et de votre éclairage de plaque d'immatriculation avant de continuer.

- À l'aide des 3 boulons à tête fraisée M5 (article 9), vissez-les à travers la plaque d'immatriculation et le cache, puis vissez-les sans serrer dans le support principal.
- À ce stade, assurez-vous que le câblage des clignotants soit bien inséré dans les trous de chaque côté du support principal (voir photo 7).
- Poussez le cache vers le haut, en direction du support principal, afin de combler l'espace autour de la bande en caoutchouc.
- Tout en maintenant le cache en place, vissez les 2 boulons à tête bombée M5 (article 8) à travers le cache et dans le support principal.
- Serrez ensuite les 3 boulons à tête fraisée du support de plaque d'immatriculation jusqu'à ce que tout soit bien fixé.
- Remontez tous les panneaux de carénage comme à l'origine.



IMPORTANT : SI VOUS MONTEZ UNE PLAQUE D'IMMATRICULATION DE GRANDE TAILLE ET LA PLACEZ BIEN EN BAS SUR LE SUPPORT DE PLAQUE D'IMMATRICULATION, IL Y A UN RISQUE QUE LA PLAQUE D'IMMATRICULATION FRAPPE LA ROUE ARRIÈRE SOUS UNE CHARGE LOURDE ET SUR DE GROSSES BOSSES SUR LA ROUTE. IL EST DE VOTRE RESPONSABILITÉ DE VÉRIFIER CETTE POSSIBILITÉ ET DE PRENDRE DES MESURES POUR ÉVITER. NE PAS VÉRIFIER CELA POURRAIT ENTRAÎNER DES BLESSURES GRAVES.

ISSUE 1 – 16/04/2025 (TB)

CONSUMER NOTICE

The catalogue description and any exhibition of samples are only broad indications of the Products and R&G may make design changes which do not diminish their performance or visual appeal and supplying them in such state shall conform to the order. The Buyer acknowledges no representation or warranty (other than as to title) has been given or will apply to the Products other than those in R&G's order or confirmation and the Buyer confirms it has chosen the Products as being of merchantable quality and suitable for its particular purposes. Where R&G fits the Products or undertakes other services it shall exercise reasonable skill and care and rectify any fault free of charge unless the workmanship has been disturbed. The Buyer is responsible for ensuring that the warranty on the motorcycle is not affected by the fitting of the Products. On return of any defective Products R&G shall at its option either supply a replacement or refund the purchase money but shall not be liable if the Products have been modified or used or maintained otherwise than in accordance with R&G's or manufacturer's instructions and good engineering practice or if the defect arises from accident or neglect. Other than identified above and subject to R&G not limiting its liability for causing death and personal injury, it shall not be liable for indirect or consequential loss and otherwise its liability shall be limited to the amounts paid by the Buyer for the Products or the fitting or service concerned. These terms do not affect the Buyer's statutory rights.

R&G RACING RETURNS POLICY (NON-FAULTY GOODS)

Returns must be pre-authorized (if not pre-authorized the return will be rejected). Goods may only be returned direct to us if they were purchased direct from us (customer must prove if necessary). Otherwise to be returned to original vendor. Goods must be in re-sellable condition, in the opinion of R&G Racing. All returns are subject to a 25% restocking and handling fee (25% of the gross value exc. P&P – at the prevailing price at time of purchase). The customer must pay any and all carriage charges. No returns of discontinued products, unless within 14 days of purchase. This policy does not affect your statutory rights and does not refer to faulty goods.

Racing Technique Ltd T/A R&G

Unit 1, Shelley's Lane, East Worldham, Alton, Hampshire, GU34 3AQ

Tel: +44 (0)1420 89007 Fax: +44 (0)1420 87301 www.rg-racing.com Email: info@rg-racing.com