



**FITTING INSTRUCTIONS FOR TG0021**  
**SHARK FIN TOE GUARD**



**This kit contains the items pictured and labelled over the page.**

**Some parts may be shown for clarity of instructions only.**

**Do not proceed until you are sure all parts are present.**

**Please read all instructions before proceeding.**

**IF IN ANY DOUBT WHEN FITTING OUR PRODUCTS, CONSULT ONE OF OUR DEALERS  
OR HAVE FITTED BY A QUALIFIED TECHNICIAN.**

Please note that the way the kit is packed does not necessarily represent the way of mounting to the bike.

In the event of rubber washers being used to hold components onto bolts, these rubber washers can be thrown away.

**DIGITAL COPIES OF THESE INSTRUCTIONS ARE AVAILABLE FROM**

**[WWW.RG-RACING.COM](http://WWW.RG-RACING.COM)**

R&G

Unit 1, Shelley's Lane, East Worldham, Alton, Hampshire, GU34 3AQ

Tel: +44 (0)1420 89007 Fax: +44 (0)1420 87301 [www.rg-racing.com](http://www.rg-racing.com) Email: [info@rg-racing.com](mailto:info@rg-racing.com)

**TOOLS REQUIRED**

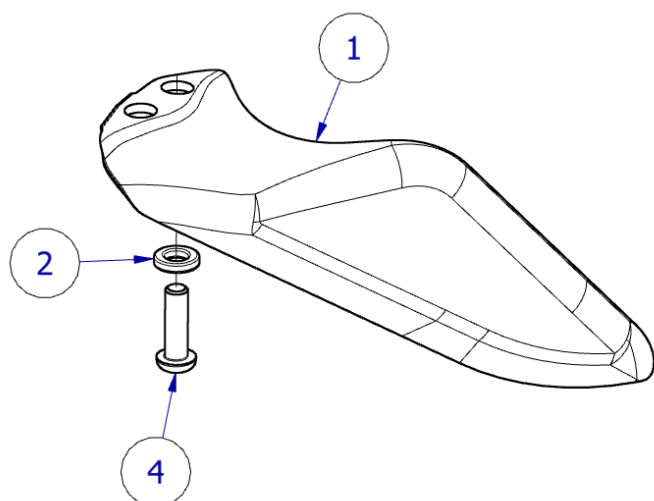
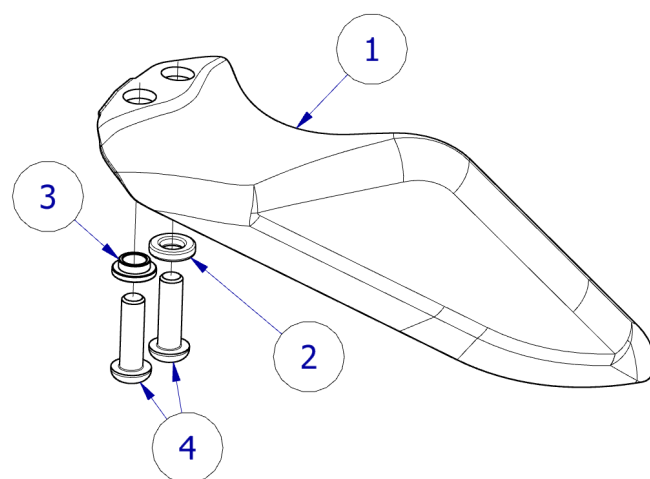
- 4mm ALLEN KEY
- M6 x 1.00 TAP + TAP WRENCH

**GENERAL TORQUE SETTINGS**

M4 BOLT = 8Nm  
 M5 BOLT = 12Nm  
 M6 BOLT = 15Nm  
 M8 BOLT = 20Nm  
 M10 BOLT = 40Nm  
 M12 BOLT = 40Nm

**LEGEND**

ITEM No.	DESCRIPTION	QTY
ITEM 1	CAR0034 (CARBON SHARK FIN)	1
ITEM 2	S0430 (SPACER FOR ROAD FITMENT)	1
ITEM 3	S1436 (SPACER FOR RACE/TRACK FITMENT)	1
ITEM 4	M6x1.00x20mm BUTTON HEAD BOLT	2

**ASSEMBLY DIAGRAM 1****ASSEMBLY DIAGRAM 2**

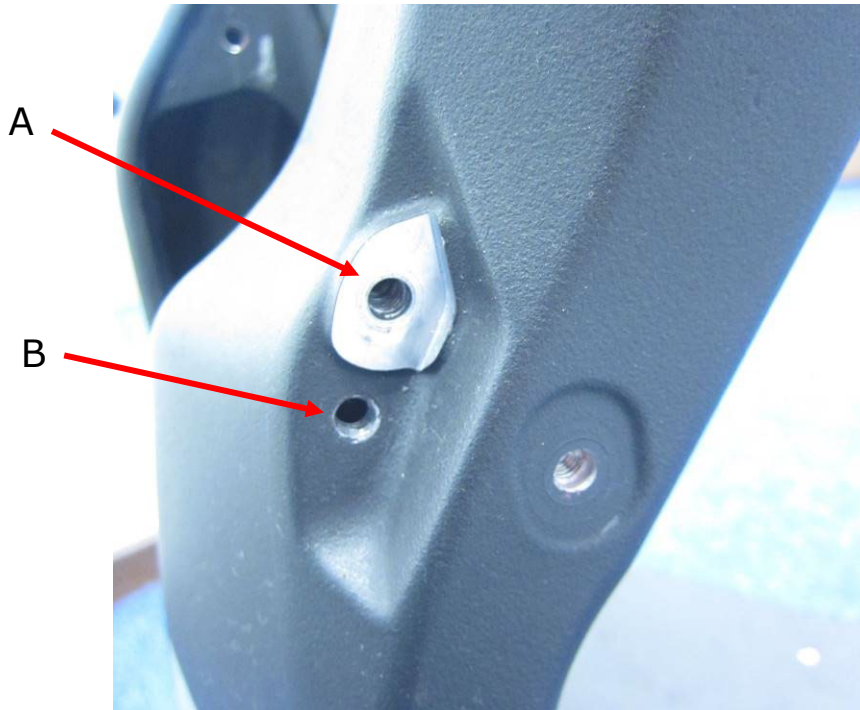
R&amp;G

Unit 1, Shelley's Lane, East Worldham, Alton, Hampshire, GU34 3AQ

Tel: +44 (0)1420 89007 Fax: +44 (0)1420 87301 [www.rg-racing.com](http://www.rg-racing.com) Email: [info@rg-racing.com](mailto:info@rg-racing.com)



### **FITTING PICTURE**



### **FITTING INSTRUCTIONS**

**THE INSTRUCTIONS BELOW DETAIL TWO SEPARATE FITTING OPTIONS. CHOOSE WHICH IS MOST SUITABLE FOR YOUR BIKE.**

#### **If fitting for ROAD use:**

- Remove the OEM plastic shark fin toe guard.
- Assemble the shark fin as shown in **ASSEMBLY DIAGRAM 1**.
- Secure the carbon shark fin assembly to the bike in the same way in which the OEM shark fin is installed using hole **A** labelled as shown in **FITTING PICTURE**, ensuring you use a thread locking compound.

#### **If fitting RACE/TRACK use:**

- Remove the OEM plastic shark fin toe guard.
- Run an M6x1.00 tap with a tap wrench through hole **B** labelled as shown in **FITTING PICTURE**.
- Assemble the shark fin as shown in **ASSEMBLY DIAGRAM 2**.
- Secure the carbon shark fin assembly to the bike in the same way in which the OEM shark fin is installed using holes **A** and **B** labelled as shown in **FITTING PICTURE**, ensuring you use a thread locking compound.

R&G

Unit 1, Shelley's Lane, East Worldham, Alton, Hampshire, GU34 3AQ

Tel: +44 (0)1420 89007 Fax: +44 (0)1420 87301 [www.rg-racing.com](http://www.rg-racing.com) Email: [info@rg-racing.com](mailto:info@rg-racing.com)



**See more R&G products for your Motorcycle in the link below:**  
[R&G Racing | All Products for Ducati - 1199 Panigale \(rg-racing.com\)](http://rg-racing.com)

ISSUE 2 08/11/2022 (AO)

#### **CONSUMER NOTICE**

The catalogue description and any exhibition of samples are only broad indications of the Products and R&G may make design changes which do not diminish their performance or visual appeal and supplying them in such state shall conform to the order. The Buyer acknowledges no representation or warranty (other than as to title) has been given or will apply to the Products other than those in R&G's order or confirmation and the Buyer confirms it has chosen the Products as being of merchantable quality and suitable for its particular purposes. Where R&G fits the Products or undertakes other services it shall exercise reasonable skill and care and rectify any fault free of charge unless the workmanship has been disturbed. The Buyer is responsible for ensuring that the warranty on the motorcycle is not affected by the fitting of the Products. On return of any defective Products R&G shall at its option either supply a replacement or refund the purchase money but shall not be liable if the Products have been modified or used or maintained otherwise than in accordance with R&G's or manufacturer's instructions and good engineering practice or if the defect arises from accident or neglect. Other than identified above and subject to R&G not limiting its liability for causing death and personal injury, it shall not be liable for indirect or consequential loss and otherwise its liability shall be limited to the amounts paid by the Buyer for the Products or the fitting or service concerned. These terms do not affect the Buyer's statutory rights.

#### **R&G RACING RETURNS POLICY (NON-FAULTY GOODS)**

Returns must be pre-authorized (if not pre-authorized the return will be rejected). Goods may only be returned direct to us if they were purchased direct from us (customer must prove if necessary). Otherwise to be returned to original vendor. Goods must be in re-sellable condition, in the opinion of R&G Racing. All returns are subject to a 25% restocking and handling fee (25% of the gross value exc. P&P - at the prevailing price at time of purchase). The customer must pay any and all carriage charges. No returns of discontinued products, unless within 14 days of purchase. This policy does not affect your statutory rights and does not refer to faulty goods.

R&G

Unit 1, Shelley's Lane, East Worldham, Alton, Hampshire, GU34 3AQ

Tel: +44 (0)1420 89007 Fax: +44 (0)1420 87301 [www.rg-racing.com](http://www.rg-racing.com) Email: [info@rg-racing.com](mailto:info@rg-racing.com)



**NOTICE DE MONTAGE TG0021**  
**PROTÈGE-PIEDS EN AILERON DE REQUIN**



**CE KIT CONTIENT LES ARTICLES ILLUSTRÉS ET ÉTIQUETES SUR LA PAGE.**

CERTAINES PARTIES PEUVENT ÊTRE PRÉSENTES UNIQUEMENT POUR LA CLARTE DES INSTRUCTIONS.

NE PAS PROCÉDER AU MONTAGE TANT QUE VOUS N'ÊTES PAS SÛR QUE TOUTES LES PIÈCES SOIENT PRÉSENTES.

**VEUILLEZ LIRE TOUTES LES INSTRUCTIONS AVANT DE CONTINUER.**

**EN CAS DE DOUTE LORS DU MONTAGE DE NOS PRODUITS, CONSULTEZ UN DE NOS REVENDEURS OU FAITES APPEL À UN TECHNICIEN QUALIFIÉ.**

VEUILLEZ NOTER QUE LA FAÇON DONT LE KIT EST EMBALLÉ NE REPRÉSENTE PAS NECESSAIREMENT LA MANIÈRE DE LE MONTER SUR LA MOTO.

SI DES RONDELLES EN CAOUTCHOUC SONT UTILISÉES POUR MAINTENIR LES COMPOSANTS SUR LES BOULONS, ELLES PEUVENT ÊTRE JETÉES.

**NOTICE DISPONIBLE AU TÉLÉCHARGEMENT SUR :**  
[WWW.RG-RACING.COM](http://WWW.RG-RACING.COM)

**OUTILS REQUIS**

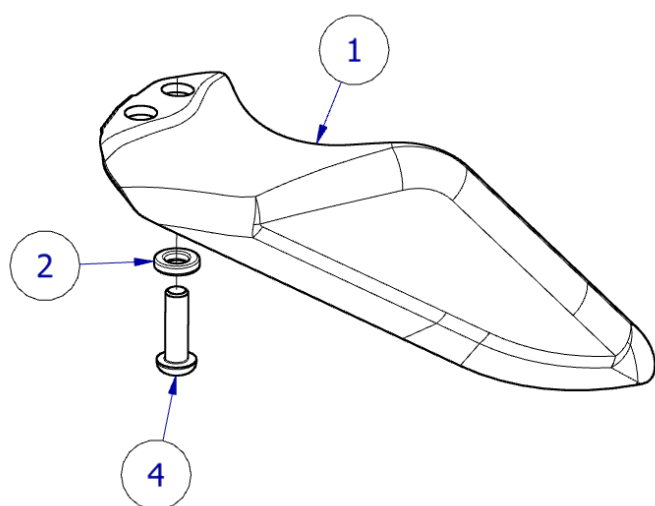
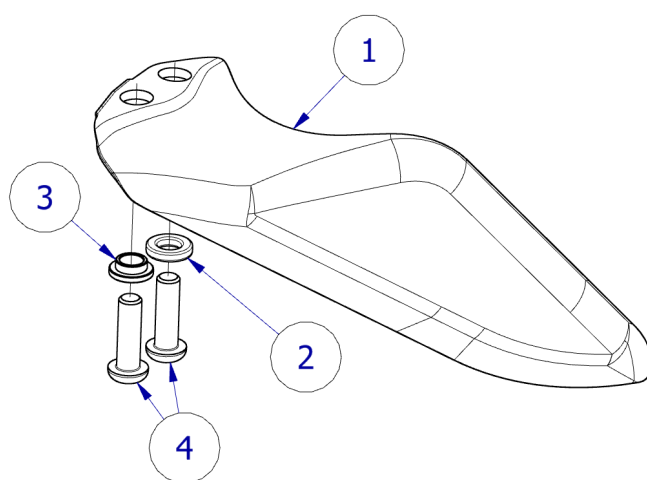
- CLÉ ALLEN 4mm
- TARAUD M6 x 1,00 + CLÉ À TARAUD

**VALEURS DE SERRAGE**

M4 BOULON = 8Nm  
 M5 BOULON = 12Nm  
 M6 BOULON = 15Nm  
 M8 BOULON = 20Nm  
 M10 BOULON = 40Nm  
 M12 BOULON = 40Nm

**LÉGENDE**

ARTICLE No.	DESCRIPTION	QTÉ
ARTICLE 1	CAR0034 (AILERON DE REQUIN EN CARBONE)	1
ARTICLE 2	S0430 (ENTRETOISE POUR MONTAGE "ROUTE")	1
ARTICLE 3	S1436 (ENTRETOISE POUR MONTAGE "COURSE/PISTE")	1
ARTICLE 4	M6x1.00x20mm BOULON	2

**SCHÉMA D'ENSEMBLE 1****SCHÉMA D'ENSEMBLE 2**

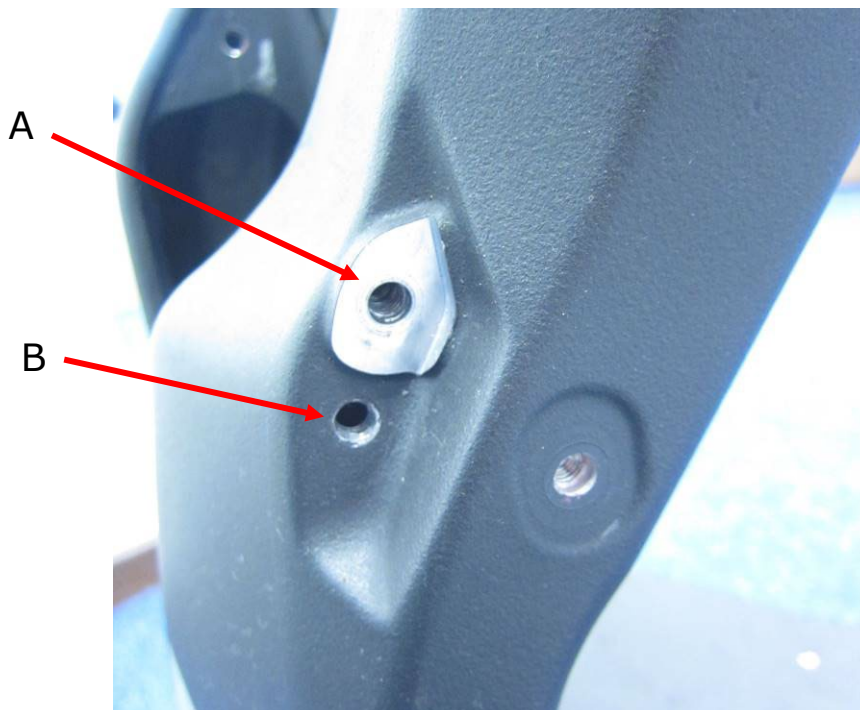
R&amp;G

Unit 1, Shelley's Lane, East Worldham, Alton, Hampshire, GU34 3AQ

Tel: +44 (0)1420 89007 Fax: +44 (0)1420 87301 [www.rg-racing.com](http://www.rg-racing.com) Email: [info@rg-racing.com](mailto:info@rg-racing.com)



## **PHOTO DE MONTAGE**



## **NOTICE DE MONTAGE**

**LES INSTRUCTIONS CI-DESSOUS DÉTAILLENT DEUX OPTIONS DE MONTAGE SÉPARÉES. CHOISISSEZ CE QUI EST LE PLUS ADAPTÉ À VOTRE MOTO.**

### **Si utilisation "ROUTE" :**

- Retirez le protège-orteil en aileron de requin en plastique d'origine.
- Assemblez l'aileron de requin comme indiqué sur le SCHÉMA D'ASSEMBLAGE 1.
- Fixez l'ensemble en carbone sur la moto de la même manière que l'aileron de requin d'origine a été installé en utilisant le trou A étiqueté comme indiqué sur l'IMAGE DE MONTAGE, en vous assurant d'utiliser un composé de blocage de filetage.

### **Si utilisation "COURSE/PISTE" :**

- Retirez le protège-orteil en aileron de requin en plastique d'origine.
- Faites passer un taraud M6x1,00 avec une clé à taraud dans le trou B étiqueté comme indiqué sur l'IMAGE DE MONTAGE.
- Assemblez l'aileron de requin comme indiqué dans le SCHÉMA D'ASSEMBLAGE 2.
- Fixez l'ensemble d'aileron de requin en carbone sur la moto de la même manière que l'aileron de requin d'origine a été installé en utilisant les trous A et B étiquetés comme indiqué sur l'IMAGE DE MONTAGE, en vous assurant d'utiliser un composé de blocage de filetage.

R&G

Unit 1, Shelley's Lane, East Worldham, Alton, Hampshire, GU34 3AQ

Tel: +44 (0)1420 89007 Fax: +44 (0)1420 87301 [www.rg-racing.com](http://www.rg-racing.com) Email: [info@rg-racing.com](mailto:info@rg-racing.com)





**Voir plus de produits R&G pour votre moto via ce lien :**

[R&G Racing | All Products for Ducati - 1199 Panigale \(rg-racing.com\)](http://rg-racing.com)

ISSUE 2 08/11/2022 (AO)

#### **CONSUMER NOTICE**

The catalogue description and any exhibition of samples are only broad indications of the Products and R&G may make design changes which do not diminish their performance or visual appeal and supplying them in such state shall conform to the order. The Buyer acknowledges no representation or warranty (other than as to title) has been given or will apply to the Products other than those in R&G's order or confirmation and the Buyer confirms it has chosen the Products as being of merchantable quality and suitable for its particular purposes. Where R&G fits the Products or undertakes other services it shall exercise reasonable skill and care and rectify any fault free of charge unless the workmanship has been disturbed. The Buyer is responsible for ensuring that the warranty on the motorcycle is not affected by the fitting of the Products. On return of any defective Products R&G shall at its option either supply a replacement or refund the purchase money but shall not be liable if the Products have been modified or used or maintained otherwise than in accordance with R&G's or manufacturer's instructions and good engineering practice or if the defect arises from accident or neglect. Other than identified above and subject to R&G not limiting its liability for causing death and personal injury, it shall not be liable for indirect or consequential loss and otherwise its liability shall be limited to the amounts paid by the Buyer for the Products or the fitting or service concerned. These terms do not affect the Buyer's statutory rights.

#### **R&G RACING RETURNS POLICY (NON-FAULTY GOODS)**

Returns must be pre-authorized (if not pre-authorized the return will be rejected). Goods may only be returned direct to us if they were purchased direct from us (customer must prove if necessary). Otherwise to be returned to original vendor. Goods must be in re-sellable condition, in the opinion of R&G Racing. All returns are subject to a 25% restocking and handling fee (25% of the gross value exc. P&P – at the prevailing price at time of purchase). The customer must pay any and all carriage charges. No returns of discontinued products, unless within 14 days of purchase. This policy does not affect your statutory rights and does not refer to faulty goods.

R&G

Unit 1, Shelley's Lane, East Worldham, Alton, Hampshire, GU34 3AQ

Tel: +44 (0)1420 89007 Fax: +44 (0)1420 87301 [www.rg-racing.com](http://www.rg-racing.com) Email: [info@rg-racing.com](mailto:info@rg-racing.com)